

**LAVASTOVIGLIE A CAPPOTTINA
HOOD TYPE DISHWASHER****WT65**

Code	Type	Ref.	Pagina/ Page	Code	Type	Ref.	Pagina/ Page
ATMOSFERICA				PRESSIONE			
504156	WT65E	a	2 3 5 7	504219	WT65ROW	r	2 4 6 7
504157	WT65EB	b	2 3 5 7	504225	WT65ROW60	t	2 4 6 7
504158	WT65EI	c	2 3 5 7				
504166	WT65EBI	d	2 3 5 7				
504167	WT65EBIA	e	2 3 5 7 8 9				
504168	WT65EIA	f	2 3 5 7 8 9				
504169	WT65E60	g	2 3 5 7				
504170	WT65EB60	h	2 3 5 7				
504173	WT65EBIDG	k	2 3 5 7				
504174	WT65EBASIA	l	2 3 5 7				
504175	WT65EIM50	m	2 3 5 7				
504176	WT65EIM60	n	2 3 5 7				
504180	WT65MED	o	2 3 5 7 8 9				
504183	WT65E/J50	p	2 3 5 7				
504186	WT65E/J60	q	2 3 5 7				
504222	WT65EID	s	2 3 5 7				
698029	HT1200BIDG	z	2 3 5 7				

Pagina/ Page**Indice/ index**

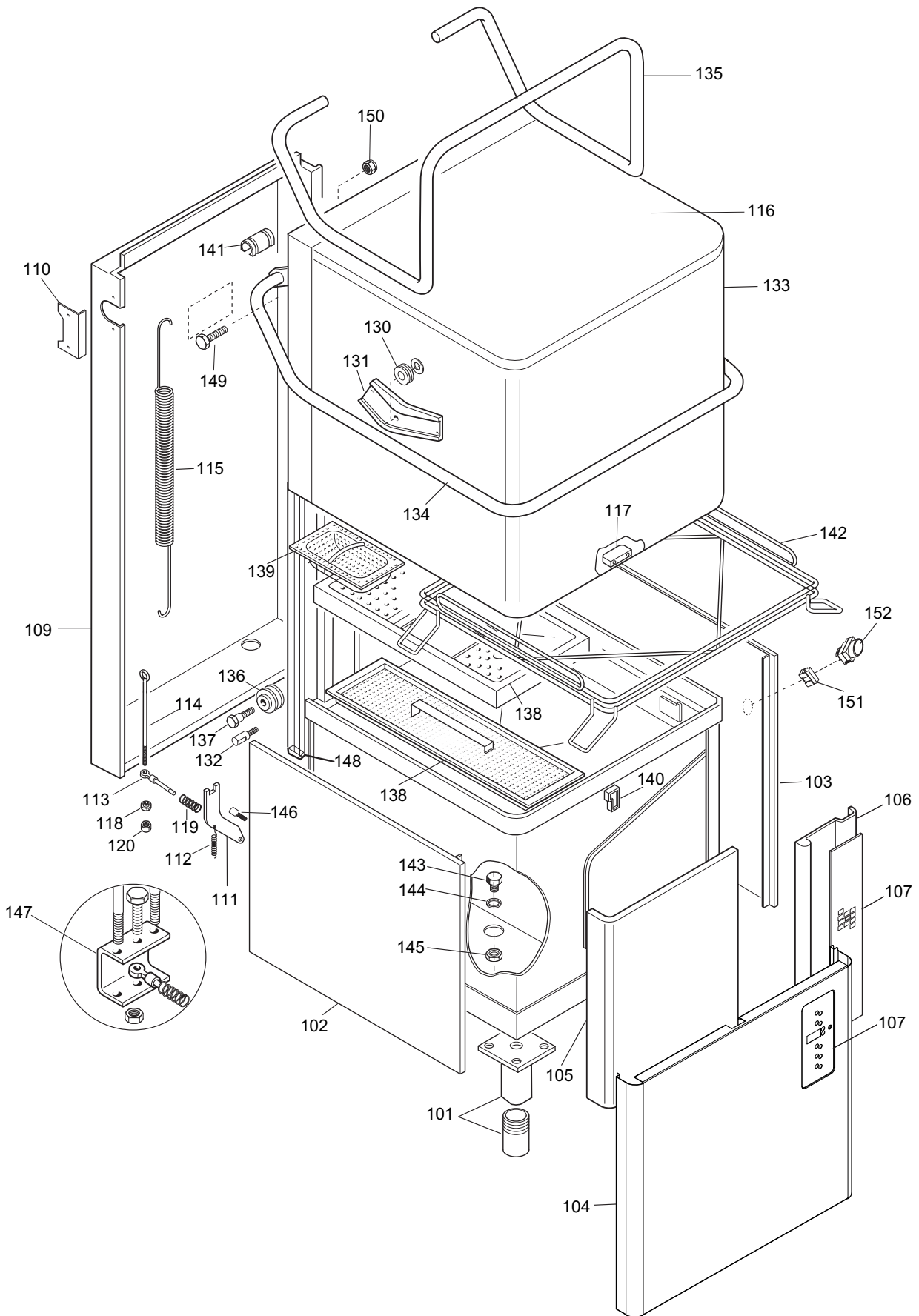
2	Vista generale / Main view
3	Componenti idraulici / Hydraulic components
4	Componenti idraulici (per WT65ROW) / Hydraulic components (for WT65ROW)
5	Circuiti idraulico / Hydraulic circuit
6	Circuito idraulico (per WT65ROW) / Hydraulic circuit (for WT65ROW)
7	Componenti elettrici / Electrical components
8	Componenti AU / AU components
9	Componenti AU / AU components
10 - 19	Lista ricambi / Spare parts list

Marchio/ Brand: E
Paese/ Country: Tutti/ All

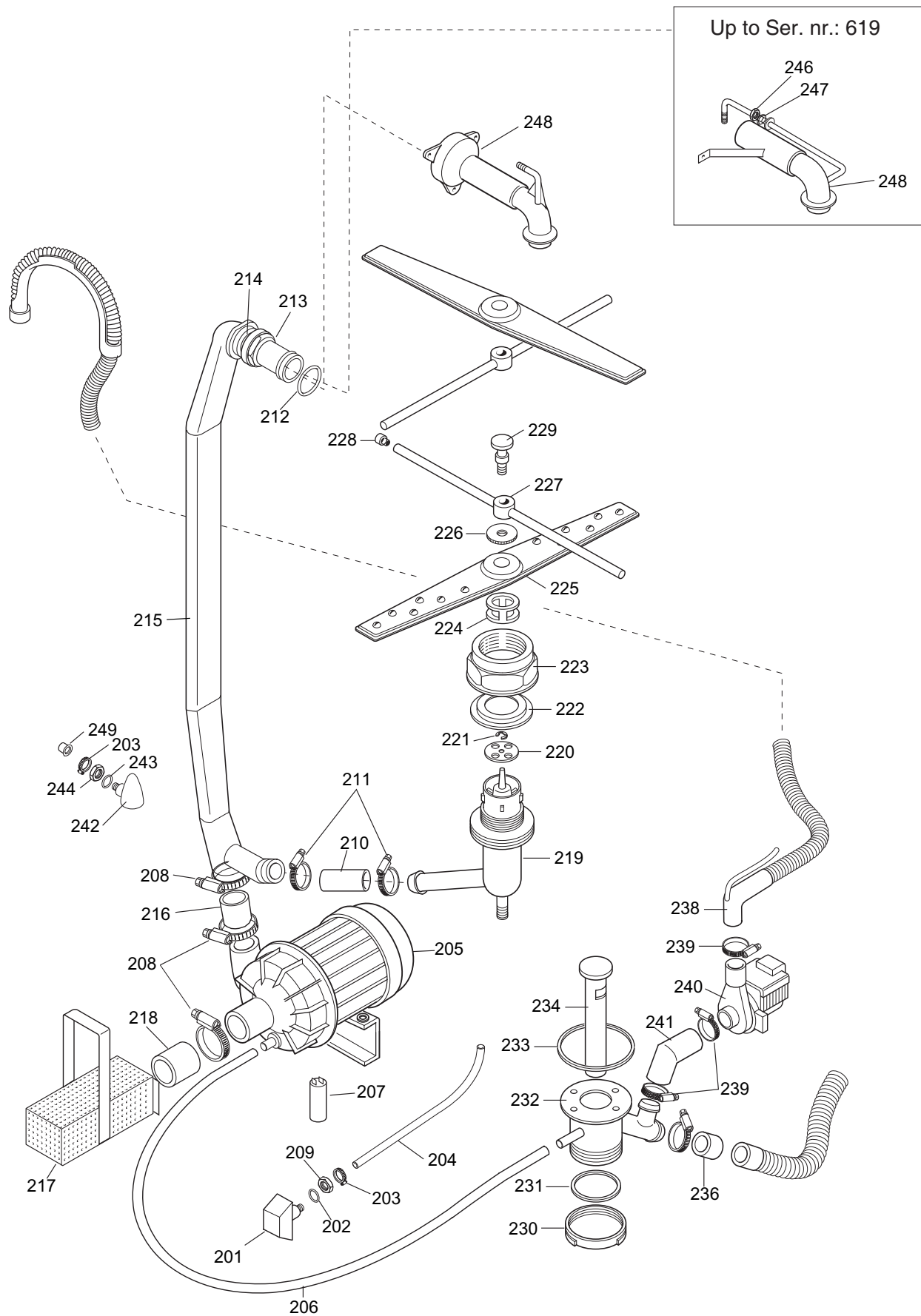
Da Ser.Nr./From Ser.nr.: /222....

Ed. 2008-09

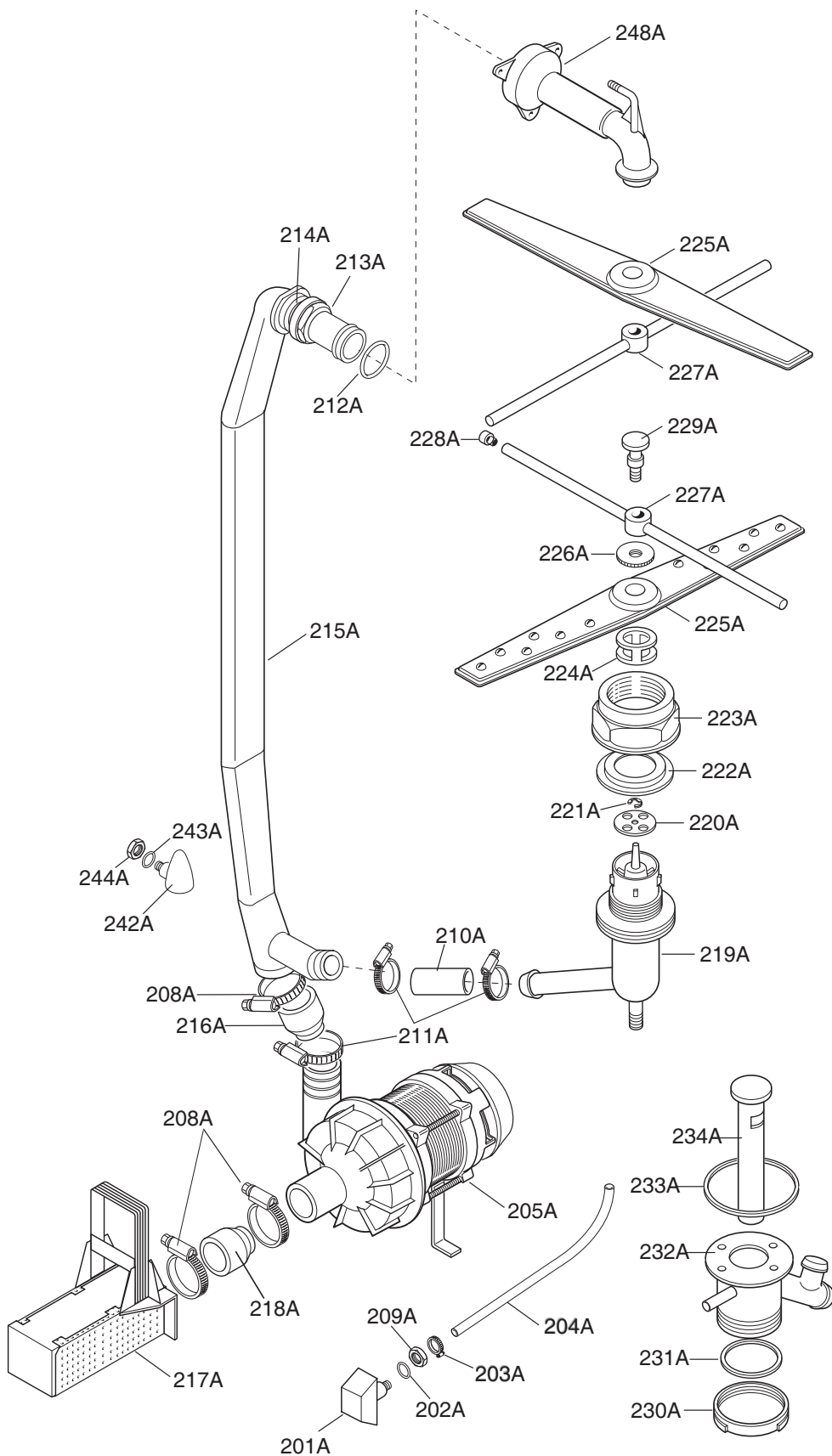
Doc. Nr.: 6-41 804



ill. 641804p1
Vista generale / Main view



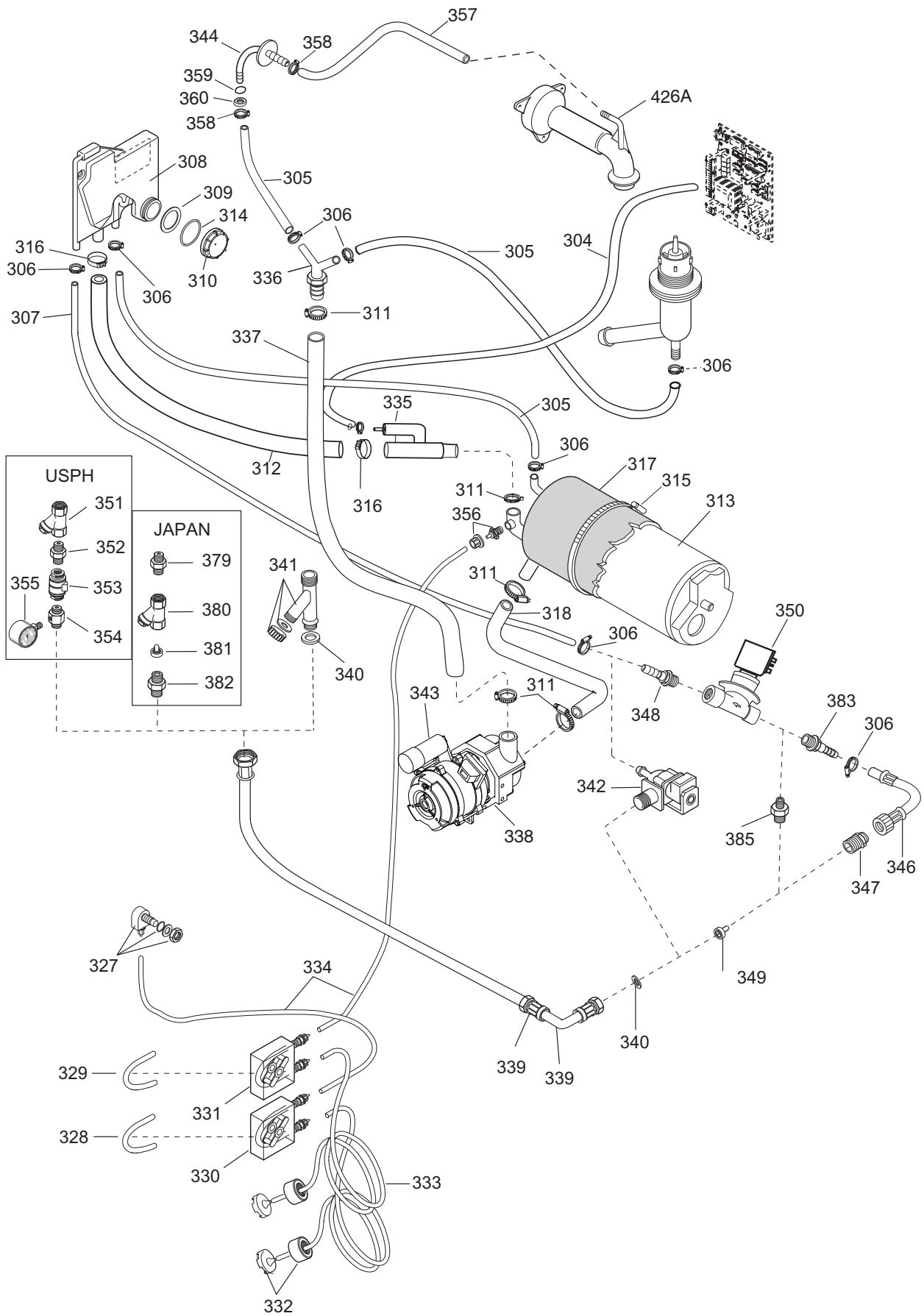
ill. 641804p2
Componenti idraulici / Hydraulic components



ill. 641804p2A

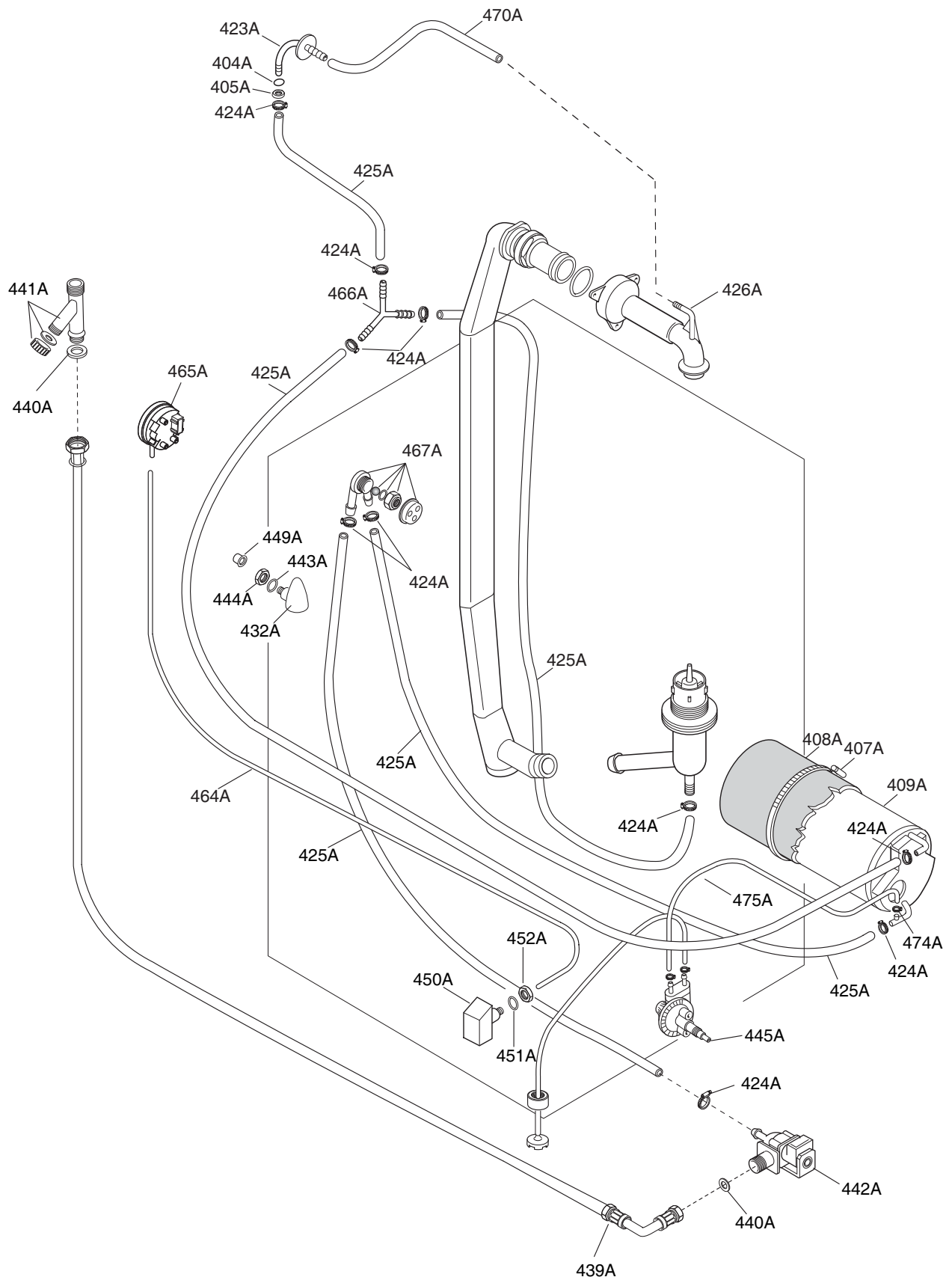
Componenti idraulici (per WT65ROW) / Hydraulic components (for WT65ROW)

Da Ser.Nr./From Ser.nr.: /222....



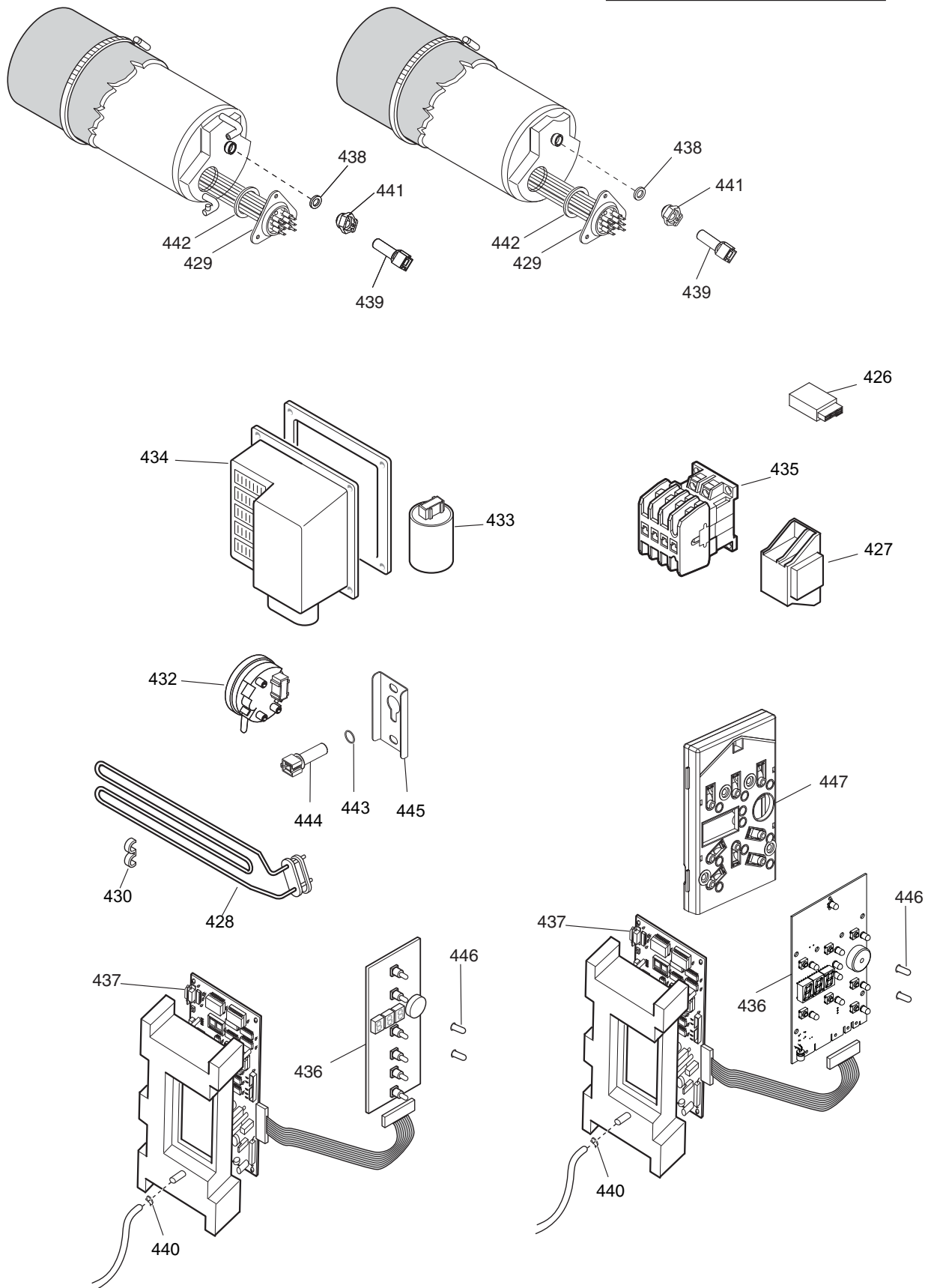
ill. 641804p3
Circuiti idraulico / Hydraulic circuit

Da Ser.Nr./From Ser.nr.: /222....

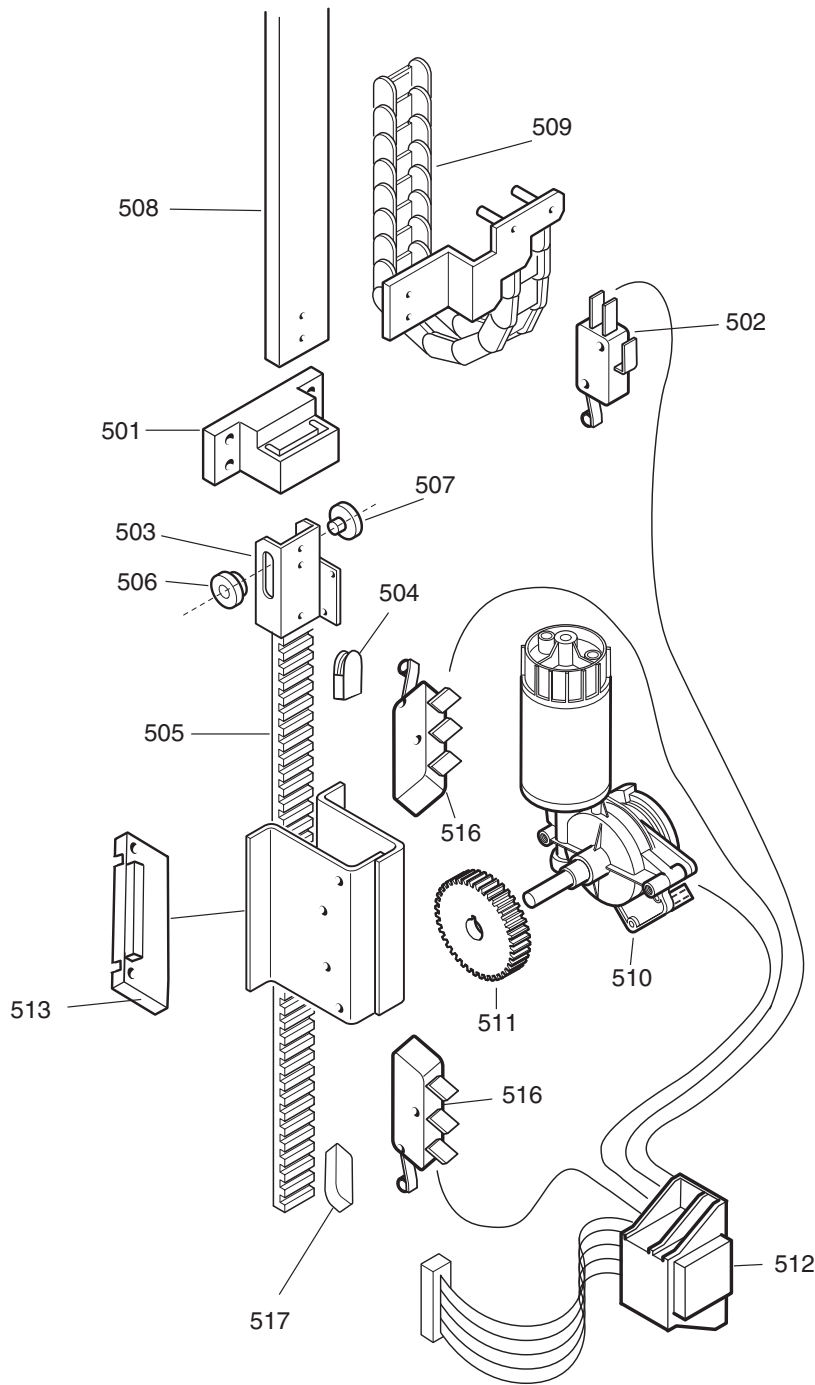


ill. 641804p3A
Circuito idraulico (per WT65ROW) / Hydraulic circuit (for WT65ROW)

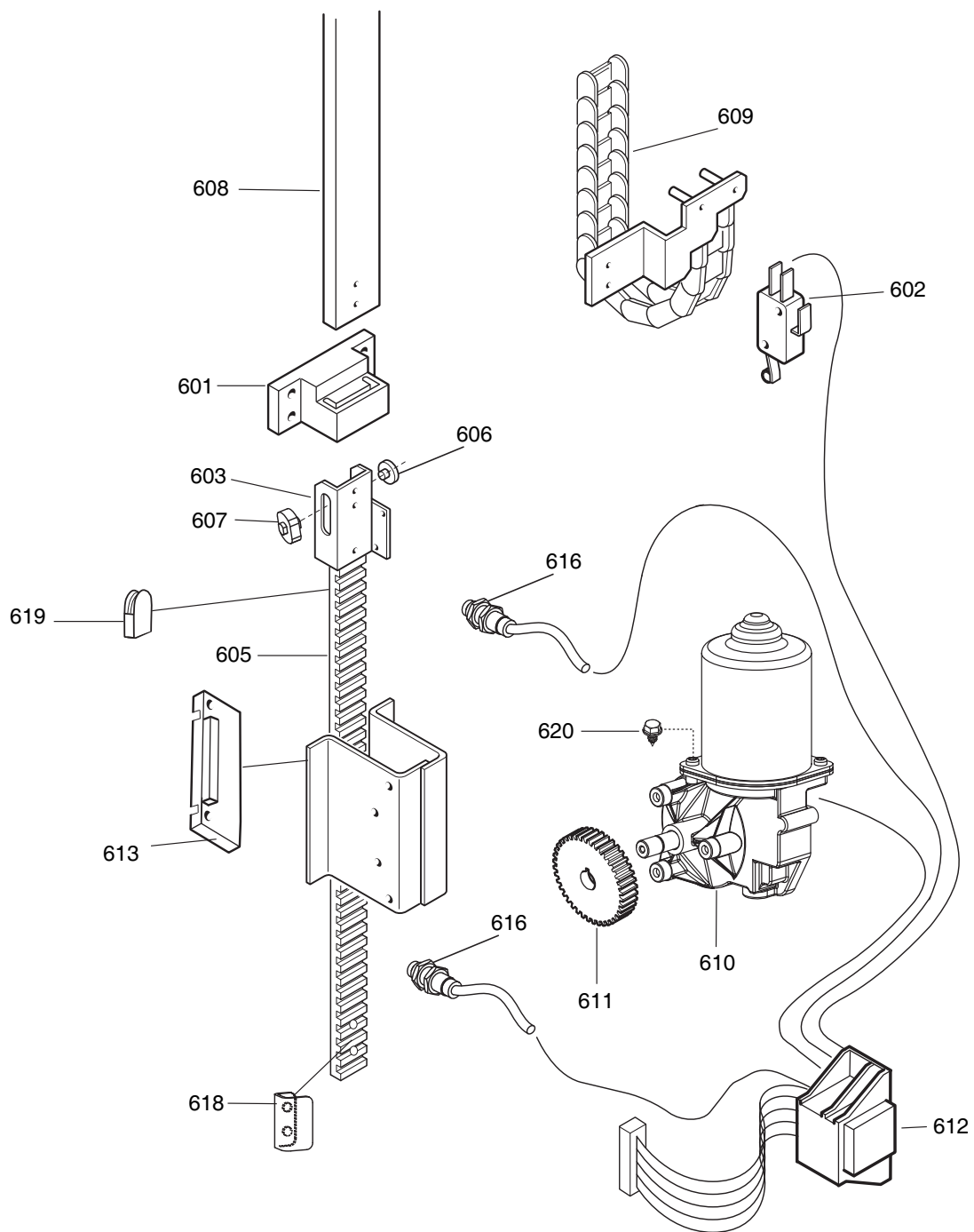
* Cablaggio/Wiring hardness: 490



ill. 641804p4
Componenti elettrici / Electrical components



ill. 641804p5 (Up to Ser. nr. 406)
 Componenti AU / AU components



ill. 641804p5A (From Ser. nr. 407)
 Componenti AU / AU components

LAVASTOVIGLIE CAPPOTTINA WT65 HOOD TYPE DISHWASHER WT65			Grassetto = variazioni Bold Print = changes	
Pos.	Cod.ric. Part No.	Descrizione	Description	Note / Notes
		Pagina 2: Vista generale	Page 2: Main view	ill. 641804p1
101	0L0016	Piede completo	Complete foot	a,b,c,d,e,f,g,h,k,l,o,p,q,s,z Up to Ser. Nr. 712
101	048579	Piede completo	Complete foot	a,b,c,d,e,f,g,h,k,l,o,p,q,s,z From Ser. Nr. 713
101	048579	Piede completo	Complete foot	r, t
101	0L0015	Piede flangiato Marine	Marine flange foot	m,n - Up to Ser. Nr. 717
101	0L1452	Piede Marine	Marine foot	m,n - From Ser. Nr. 718
102	049574	Pannello laterale sx	Side panel, left	
103	049573	Pannello laterale dx	Side panel, right	not for "e,f,o"
103	0L0614	Pannello laterale dx	Side panel, right	e,f,o
104	0L1134	Pannello comandi	Control panel	p
104	0L1134	Pannello comandi	Control panel	a,b,c,d,e,f,g,h,l,m,n,o,q,s From Ser. nr.: 620 Up to Ser. Nr.: 810
104	0L1685	Pannello comandi	Control panel	a,b,c,d,e,f,g,h,l,m,n,o,q,s From Ser. nr.: 811
104	0L1135	Pannello comandi	Control panel	r, t - Up to Ser. Nr.: 810
104	0L1685	Pannello comandi	Control panel	r, t - From Ser. Nr.: 811
105	0L0287	Pannello frontale	Front panel	Up to Ser. nr.: 619
106	0L0013	Pannello comandi	Control panel	a,b,c,d,e,f,g,h,l,m,n,o,p,q Up to Ser. nr.: 619
107	0L0007	Membrana adesiva	Membrane	a,b,c,d,g,h,k,l,m,n,p,q Up to Ser. nr.: 619
107	0L1137	Membrana adesiva	Membrane	p - Up to Ser. nr.: 619
107	0L1137	Membrana adesiva	Membrane	a,b,c,d,g,h,k,l,m,n,p,q,s From Ser. nr.: 620 Up to Ser. Nr.: 810
107	0L1673	Membrana adesiva	Membrane	a,b,c,d,g,h,k,l,m,n,p,q,s From Ser. Nr.: 811
107	0L0006	Membrana adesiva	Membrane	e,f - Up to Ser. nr.: 619
107	0L1138	Membrana adesiva	Membrane	e,f - From Ser. nr.: 620 Up to Ser. Nr.: 810
107	0L1672	Membrana adesiva	Membrane	e,f - From Ser. nr.: 811
107	0L0282	Membrana adesiva	Membrane	o - Up to Ser. nr.: 619
107	0L1139	Membrana adesiva	Membrane	o - From Ser. nr.: 620 Up to Ser. Nr.: 810
107	0L1678	Membrana adesiva	Membrane	o - From Ser. nr.: 811
107	0L0087	Membrana adesiva	Membrane	r, t - Up to Ser. Nr.: 810
107	0L1674	Membrana adesiva	Membrane	r, t - From Ser. Nr.: 811
107	0L1681	Membrana adesiva	Membrane	z
109	0L0288	Schienale	Back	k,z
109	0L1669	Schienale	Back	m,n
109	0L0002	Schienale	Back	a,b,c,d,e,f,g,h,l,o,p,q,r,s, t
110	0L1698	Squadretta; sx	Plate; left	m,n
110	0L1699	Squadretta; dx	Plate; right	m,n
110	0L0003	Squadretta; sx	Plate; left	Not for "m,n"

Da Ser.Nr./From Ser.nr.: /222....

LAVASTOVIGLIE CAPPOTTINA WT65				Grassetto = variazioni
HOOD TYPE DISHWASHER WT65				Bold Print = changes
Pos.	Cod.ric. Part No.	Descrizione	Description	Note / Notes
110	0L0004	Squadretta; dx	Plate; right	Not for "m,n"
111	049578	Leva di sicurezza	Lever; safety	
111	049578	Leva di sicurezza	Lever; safety	Only for "e,f,o" Up to ser. nr.: 406
112	049584	Molla per leva	Spring; lever	
112	049584	Molla per leva	Spring; lever	Only for "e,f,o" Up to ser. nr.: 406
113	049587	Perno per sicurezza	Pin; safety	
113	049587	Perno per sicurezza	Pin; safety	Only for "e,f,o" Up to ser. nr.: 406
113	049591	Perno per sicurezza	Pin; safety	c,d,k,m,n,s,z
113	049591	Perno per sicurezza	Pin; safety	Only for "e,f,o" Up to ser. nr.: 406
114	049583	Tendimolla	Spring stretcher	
115	049582	Molla	Spring	a,b,c,d,g,h,k,l,m,n,p,q,s,z
115	049947	Molla	Spring	e,f,o
116	049794	Coperchio	Cover	
117	049627	Magnete	Magnet	
118	049761	Boccola	Bush	
119	049585	Molla; sicurezza	Spring; safety	
119	049585	Molla; sicurezza	Spring; safety	Only for "e,f,o" - Up to ser. nr.: 406
120	0H2562	Dado M6	Nut M6	
130	049598	Rotella; maniglia	Roller; handle	
131	049597	Guida; maniglia	Guide; handle	
132	048635	Perno	Pin	
133	0L0031	Cappotta	Hood	e,f,o - Up to ser. nr.: 406
133	0L0435	Cappotta	Hood	e,f,o - From ser. nr.: 407
133	0L0018	Cappotta	Hood	c,d,k,z - Up to ser. nr.: 406
133	0L0433	Cappotta	Hood	c,d,k,s,z - From ser. nr.: 407
133	0L0029	Cappotta	Hood	a,b,g,h,l,m,n,p,q Up to ser. nr.: 406
133	0L0431	Cappotta	Hood	a,b,g,h,l,m,n,p,q,r,t From ser. nr.:407
134	049989	Maniglia; compl	Handle; compl.	a,b,c,d,g,h,k,l,m,n,p,q,s,z
134	049996	Maniglia; compl	Handle; compl.	r,t
135	0L0014	Maniglia; compl	Handle; compl.	e,f,o
136	048657	Ruota	Wheel	
137	048656	Perno; ruota	Pin; wheel	
138	048251	Filtro piano	Filter plate	Not for "r,t "
138	0L0069	Filtro	Filter	r,t
139	048252	Filtro; cestello	Filter; basket	Not for "r,t "
140	0L1871	Sensore	Sensor	
141	049594	Supporto	Support	
142	049629	Guida cesto; compl.	Guide; compl.	
143	049502	Tappo; M20X1,5	Plug; M20x1,5	
144	048245	Guarnizione	Gasket	

Da Ser.Nr./From Ser.nr.: /222....

LAVASTOVIGLIE CAPPOTTINA WT65 HOOD TYPE DISHWASHER WT65			Grassetto = variazioni Bold Print = changes	
Pos.	Cod.ric. Part No.	Descrizione	Description	Note / Notes
145	049436	Dado; M20X1,5	Nut; M20x1,5	
146	049586	Perno; leva	Pin; lever	
146	049586	Perno; leva	Pin; lever	Only for "e,f,o" - Up to s. nr.: 406
147	049579	Squadretta	Plate	c,d,k,m,n,s,z
147	049579	Squadretta	Plate	Only for "e,f,o" - Up to s. nr.: 406
148	048710	Paracolpi; inferiore	Shock absorber; lower	
149	0L0100	Vite	Screw	
150	0L0101	Dado	Nut	
151	075601	Contatto	Contact	Up to ser. nr.: 443
151	0L0616	Contatto	Contact	From ser. nr.: 444
152	049238	Pulsante	Button	Up to ser. nr.: 443
152	0L0615	Pulsante	Button	From ser. nr.: 444
		Pagina 3: Componenti idraulici	Page 3: Hydraulic components	ill. 641804p2 (not for: "r,t")
201	048308	Trapola d'aria	Air trap	
202	068642	O ring	O Ring	
203	046946	Fascetta 8-12	Hose clamp 8-12	
204	048883	Tubo; 5X12, L=1700 MM	Hose; 5x12	
205	048216	Pompa lavaggio; 230-400V 50HZ	Wash pump; 230-400V 50HZ	a,b,c,d,e,f,k,l,m,o,z Up to Ser. nr.: 305
205	0L0027	Pompa lavaggio; 230-400V 50HZ	Wash pump; 230-400V 50HZ	a,b,c,d,e,f,k,l,m,o,s,z From Ser. nr.: 306
205	0L0320	Pompa lavaggio; 200V 50HZ	Wash pump; 200V 50HZ	p
205	0L0323	Pompa lavaggio; 200V 60HZ	Wash pump; 200V 60HZ	q
205	048501	Pompa lavaggio; 230-400V 60HZ	Wash pump; 230-400V 60HZ	g,h - Up to Ser. nr.: 305
205	0L0096	Pompa lavaggio; 230-400V 60HZ	Wash pump; 230-400V 60HZ	g,h - From Ser. nr.: 306
205	049114	Pompa lavaggio;440V 60HZ mar.	Wash pump; 440V 60HZ mar.	n - Up to Ser. nr.: 305
205	0L0097	Pompa lavaggio;440V 60HZ mar.	Wash pump; 440V 60HZ mar.	n - From Ser. nr.: 306
206	048531	Tubo gomma; L=1645 MM	Hose	
208	046853	Fascetta 68-85	Hose clamp 68-85	
209	049268	Dado; M14X1,5	Nut; M14x1,5	
210	0L0558	Manicotto	Hose	Up to ser. nr.: 443
210	0L0612	Manicotto	Hose	From ser. nr.: 444
211	0L0193	Fascetta 40-60	Hose clamp 40-60	
212	0L0185	O Ring	O Ring	
213	049596	Ghiera	Ring nut	Up to Ser. nr.: 425
213	0L0557	Ghiera	Ring nut	From Ser. nr.: 426
214	049593	O Ring	O Ring	
215	049595	Tubo collegamento getti	Pipe; jets connection	Up to Ser. nr.: 425
215	0L0556	Tubo collegamento getti	Pipe; jets connection	From Ser. nr.: 426
216	045456	Tubo	Hose	Up to ser. nr.: 443
216	0L0613	Tubo	Hose	From ser. nr.: 444
217	049810	Protezione pompa; compl.	Pomp protection;compl.	
218	048242	Manicotto	Hose	

Da Ser.Nr./From Ser.nr.: /222....

LAVASTOVIGLIE CAPPOTTINA WT65 HOOD TYPE DISHWASHER WT65			Grassetto = variazioni Bold Print = changes	
Pos.	Cod.ric. Part No.	Descrizione	Description	Note / Notes
219	048235	Supporto getti inferiore	Jets support; lower	
220	048931	Parzializzatore	Flow reducer	
221	048979	Anello seger	C-Clamp	
222	048236	Guarnizione	Gasket	
223	048237	Ghiera	Ring nut	
224	048401	Mozzo	Hub	
225	0L0597	Assieme getto lavaggio	Washing arm assembly	
226	048632	Rondella di fermo	Lock washer	
227	048716	Getto risciacquo	Rinse jet	
228	048714	Tappo	Plug	
229	048290	Perno; per getti risciaquo	Pin; for rinse jets	
230	048231	Tappo	Plug	
231	048230	Guarnizione	Gasket	
232	049600	Supporto scarico	Support; drain	
233	048229	Guarnizione	Gasket	
234	049140	Troppo pieno	Overflow pipe	k,z
234	048250	Troppo pieno	Overflow pipe	a,b,c,d,e,f,g,h,i,l,m,n,o,p,q,s
236	047555	Tappo	Plug	k,z
238	049831	Tubo di scarico; per pompa	Drain pipe; for drain pump	k,z
239	046878	Fascetta 38-50	Hose clamp 38-50	
240	048844	Pompa di scarico 50HZ	Drain pump;	k,z - Up to ser. nr.: 518
240	0L0690	Pompa di scarico 50HZ	Drain pump;	k,z - From ser. nr.: 519
241	048328	Tubo di scarico	Drain pipe	k,z
242	048853	Nasello di sfiato	Spigot; air relief	
243	068642	O Ring	O Ring	
244	049268	Dado; M14x1,5	Nut; M14x1,5	
246	049436	Dado; M20X1,5	Nut; M20x1,5	
247	046799	O ring	O ring	
248	049634	Supporto getti superiore	Jets support; upper	Up to Ser. nr.: 619
248	0L0051	Supporto getti superiore	Jets support; upper	From Ser. nr.: 620
249	049849	Tappo ingresso det.	Plug inlet det.	a,b,c,d,e,f,g,h,k,l,m,n,o,p,q,s,z
		Pagina 4: Componenti idraulici (solo per r, t)	Page 4: Hydraulic components (just for r, t)	ill. 641804p2A
201A	048308	Trappola d'aria	Air Trap	
202A	068642	OR 3062	O Ring 3062	
203A	046946	Fascetta 8-12/7,5	Hose clamp 8-12/7,5	
204A	048883	Tubo Gomma 5x12	Hose	
205A	0L0564	Pompa Lavaggio	Wash pump	r
205A	0L0565	Pompa Lavaggio(60Hz)	Wash Pump (60Hz)	t
206A	047578	Fascetta 25-40	Hose clamp 25-40	
208A	046853	Fascetta 60-80	Hose clamp 60-80	
209A	049268	Dado; M 14x1,5	Nut; M 14x1,5	
210A	0L0612	Manicotto	Hose	
211A	0L0193	Fascetta 40-60	Hose clamp 40-60	

Da Ser.Nr./From Ser.nr.: /222....

LAVASTOVIGLIE CAPPOTTINA WT65				Grassetto = variazioni
HOOD TYPE DISHWASHER WT65				Bold Print = changes
Pos.	Cod.ric. Part No.	Descrizione	Description	Note / Notes
212A	0L0185	O Ring	O Ring	
213A	0L0557	Ghiera	Ring nut	
214A	049593	O Ring 5,34x72,39	O Ring 5,34x72,39	
215A	0L0556	Tubo collegamento getti	Pipe; jets connection	
216A	0L0068	Manicotto	Hose	
217A	049810	Ass. filtro aspirazione	Suction filter	
218A	0L0067	Manicotto	Hose	
219A	048235	Supporto getti inferiore	Jets support; upper	
220A	048820	Parzializzatore	Flow reducer	
221A	048979	Anello seger	C-Clamp	
222A	048236	Guarnizione	Gasket	
223A	048237	Ghiera	Ring nut	
224A	048401	Mozzo	Hub	
225A	0L0598	Ass. getto lavaggio	Washing arm assembly	
226A	048632	Rondella di fermo	Lock washer	
227A	048716	Getto risciacquo	Rinse jet	
228A	048714	Tappo	Plug	
229A	048290	Perno; per getti risciacquo	Pin; for rinse jets	
230A	048231	Tappo	Plug	
231A	048230	Guarnizione	Gasket	
232A	0L0081	Supporto scarico	Support; drain	
233A	048229	Guarnizione	Gasket	
234A	048250	Tubo troppo pieno	Overflow pipe	
242A	048853	Nasello per vasca	Spigot for tank	
243A	068642	OR 3062	O Ring 3062	
244A	049268	Dado; M 14x1,5	Nut; M 14x1,5	
248A	0L0051	Supporto getti superiore	Jets support; upper	
249A	049849	Tappo	Plug	
		Pagina 5: Circuito idraulico	Page 5: Hydraulic circuit	ill. 641804p3 (not for: "r,t")
304	072393	Tubo gomma; L=2100 MM	Hose	
305	048531	Tubo gomma; L=1645 MM	Hose	
306	048126	Fascetta13-20	Hose clamp 13-20	
307	049379	Tubo; WRC, L=1130 MM	Hose; WRC	k,z
307	048531	Tubo gomma; L=1645 MM	Hose	a,b,c,d,e,f,g,h,i,l,m,n,o,p,q,s
308	049459	Salto in aria	AIR GAP	a,b,c,d,e,f,g,h,i,l,m,n,o,p,q,s
308	049481	Salto in aria; WRC	AIR GAP	k,z
309	046595	Guarnizione	Gasket	
310	049480	Ghiera	Ring nut	
311	047578	Fascetta 26-38	Hose clamp 26-38	
312	049287	Tubo; D 25, L=430 MM	Hose; diam 25	
313	049987	Boiler	Boiler	Up to ser. nr. 322
313	0L0346	Boiler	Boiler	From ser. nr. 323
314	049460	O ring	O Ring	
315	048436	Fascetta 226-256	Hose clamp 226-256	

Da Ser.Nr./From Ser.nr.: /222....

LAVASTOVIGLIE CAPPOTTINA WT65 HOOD TYPE DISHWASHER WT65			Grassetto = variazioni Bold Print = changes	
Pos.	Cod.ric. Part No.	Descrizione	Description	Note / Notes
316	049772	Fascetta	Hose clamp	Up to ser. nr.: 327
316	0L0367	Fascetta Cobra	Hose clamp	From ser. nr.: 328
317	049415	Coibentazione boiler	Boyle insulation	
318	049599	Tubo	Hose	
327	049801	Iniettore detersivo	Injection spigot	k,s,z
328	049419	Tubo; interno, pompa det.	Hose; internal, det. pump	
329	049418	Tubo; interno, pompa brill.	Hose;internal, rin. aid pump	
330	049624	Pompa detergente	Pump, detergent	k,z - Up to ser. nr.: 521
330	0L0696	Pompa detergente	Pump, detergent	k,s,z - From ser. nr.: 522
331	049625	Pompa brillantante	Pump, rinse aid	Up to ser. nr.: 521
331	0L0697	Pompa brillantante	Pump, rinse aid	From ser. nr.: 522
332	049356	Filtro	Filter	
333	049359	Tubo aspirazione; flessibile	Suction hose; flexible	
334	049360	Tubo mandata; rigido	Delivery hose; rigid	
335	049628	Trapola d'aria; boiler	Air trap;boiler	
336	049289	Raccordo 3 vie; D 27-12	3 ways connection; diam 27-12	Up to ser. nr.: 327
336	0L0365	Raccordo 3 vie; D 27-12	3 ways connection; D 27-12	From ser. nr.: 328
337	049773	Tubo	Hose	
338	049310	Pompa risciacquo	Rinse pump	a,b,c,d,e,f,k,l,o,z 50Hz - Up to ser. nr.: 607
338	0L1079	Pompa risciacquo	Rinse pump	a,b,c,d,e,f,k,l,o,s,z 50Hz - From ser. nr.: 608
338	049965	Pompa risciacquo	Rinse pump	p - Up to ser. nr. 607
338	0L1102	Pompa risciacquo	Rinse pump	p - From ser. nr.: 608
338	0L0020	Pompa risciacquo	Rinse pump	q - Up to ser. nr.: 607
338	0L1099	Pompa risciacquo	Rinse pump	q - From ser. nr.: 608
338	049612	Pompa risciacquo; 230V 1x 60Hz	Rinse pump; 230V 1x 60Hz	g,h - Up to ser. nr.: 607
338	0L1100	Pompa risciacquo; 230V 1x 60Hz	Rinse pump; 230V 1x 60Hz	g,h - From ser. nr.: 608
338	049813	Pompa risciacquo; 440V 1x 60Hz	Rinse pump; 440V 1x 60Hz	n - Up to ser. nr.: 607
338	0L1101	Pompa risciacquo; 440V 1x 60Hz	Rinse pump; 440V 1x 60Hz	n - From ser. nr.: 608
338	049812	Pompa risciacquo; 400V 1x 50Hz	Rinse pump; 400V 1x 50Hz	m - Up to ser. nr.: 607
338	0L1103	Pompa risciacquo; 400V 1x 50Hz	Rinse pump; 400V 1x 50Hz	m - From ser. nr.: 608
339	049540	Tubo; dritto+90 GR, 2,1m	Pipe; straight + 90 degr, 2,1m	a,b,c,d,e,f,g,h,l,m,n,o,p,q
339	049378	Tubo; WRC, dritto+90 GR, 2,1m	Pipe; straight + 90 degr, 2,1m,WRC	k,z
340	049201	Guarnizione; D 3/4"	Gasket; D 3/4"	
341	048746	Filtro	Filter	Up to ser. nr.: 429
341	048834	Filtro	Filter	From ser. nr.: 430
342	049626	Elettrovalvola; 10 L/min	Electric valve; 10 L/min	a,b,c,d,e,f,g,h,l,m,n,o Up to ser. nr.: 429
342	0L0568	Elettrovalvola; 10 L/min	Electric valve; 10 L/min	a,b,c,d,e,f,g,h,l,m,n,o,s
342	049452	Elettrovalvola; 5,5 L/min	Electric valve; 5,5 L/min	k,z - Up to ser. nr.: 428
342	0L0567	Elettrovalvola; 5,5 L/min	Electric valve; 5,5 L/min	k,z - From ser. nr.: 430
343	083406	Condensatore per pompa risc.	Rinse pump capacitor	5.0 µF - a,b,c,d,e,f,k,l,o,g,h,s,z
343	049260	Condensatore per pompa risc.	Rinse pump capacitor	6.3 µF - q,n,m,p
344	0L0052	Raccordo portagomma	Connection	From Ser. nr.: 620
345	049628	Trappola	Trap	

Da Ser.Nr./From Ser.nr.: /222....

LAVASTOVIGLIE CAPPOTTINA WT65				Grassetto = variazioni
HOOD TYPE DISHWASHER WT65				Bold Print = changes
Pos.	Cod.ric. Part No.	Descrizione	Description	Note / Notes
346	049649	Ass. tubo collegamento	Hose	l - Up to ser. nr.: 429
348	049508	Portagomma; Ottone	Pipe nipple	l,p,q - Up to ser. nr.: 429
348	0L0477	Portagomma; Ottone	Pipe nipple	l,p,q - From ser. nr.: 430
349	049650	Parzializzatore; 10L/min	Flow reducer	l
350	049509	Elettrovalvola	Electric valve	l - Up to ser. nr.: 429
350	0L0569	Elettrovalvola	Electric valve	l - From ser. nr.: 430
350	0L0318	Elettrovalvola	Electric valve	p,q - Up to ser. nr.: 429
350	0L0570	Elettrovalvola	Electric valve	p,q - From ser. nr.: 430
351	068121	Filtro 3/4G	Filter 3/4G	n
352	072457	Raccordo M/M 3/4G	Connection M/M 3/4G	n
353	049541	Valvola non ritorno 3/4G	Non return valve	n
354	049543	Nipplo 3/4G	Nipple 3/4G	n
355	049477	Manometro	Manometer	n
356	049652	Raccordo	Connection	
357	0L1115	Tubo 12X19,5 WRC	Hose 12X19,5 WRC\	From Ser. nr.: 620
358	049888	Fascetta	Hose clamp	From Ser. nr.: 620
359	046799	O Ring	O Ring	From Ser. nr.: 620
360	049436	Dado; M20x1,5	Nut; M20x1,5	From Ser. nr.: 620
379	072457	Raccordo	Nipple	p,q
380	068121	Assieme filtro acqua	Assembly filter	p,q
381	049650	Parzializzatore 16L/min	Hydraulic shutter 16L/min	p,q - Up to ser. nr.: 429
382	049510	Nipplo ottone 3/4"	Brass nipple 3/4"	p,q - Up to ser. nr.: 429
382	072457	Nipplo ottone 3/4"	Brass nipple 3/4"	p,q - From ser. nr.: 430
383	049508	Portagomma in ottone	pipe nipple	p,q - Up to ser. nr.: 429
385	049473	Nipplo ottone 3/4"- 3/8"	Brass nipple 3/4"- 3/8"	p,q - Up to ser. nr.: 429
385	0L0479	Nipplo ottone 3/4"- 3/8"	Brass nipple 3/4"- 3/8"	p,q - From ser. nr.: 430
385	0L0479	Nipplo ottone 3/4"- 3/8"	Brass nipple 3/4"- 3/8"	l - From ser. nr.: 430
		Pagina 6: Circuito idraulico / Press. (solo per "r, t")	Page 6: Hydraulic circuit / Pres. (only for "r,t")	ill: ill. 641804p3A Only for "r,t"
404A	046799	O Ring	O Ring	
405A	049436	Dado; M20x1,5	Nut; M20x1,5	
407A	048222	Fascetta 210-230/12	Hose clamp 210-230/12	
408A	048447	Coibentazione per boiler	Insulation; for boiler	
409A	0L0284	Boiler a pressione	Boiler	
423A	0L0052	Raccordo portagomma	Connection	
424A	048126	Fascetta a vite 12 -22	Hose clamp 12 -22	
425A	048531	Tubo EPDM 12x19.5	Hose	
426A	0L0051	Supporto getti superiore	Jets support; upper	
432A	048853	Nasello per vasca	Spigot for tank	
439A	048816	Tubo di alimentazione	Feeder pipe	
440A	046925	Guarnizione	Gasket; diam 3/4	
441A	048834	Filtro	Filter	
442A	0L0566	Elettrovalvola, 20 l/min	El.valve; 20 l/min	
443A	068642	OR 3062	O Ring 3062	

Da Ser.Nr./From Ser.nr.: /222....

LAVASTOVIGLIE CAPPOTTINA WT65 HOOD TYPE DISHWASHER WT65			Grassetto = variazioni Bold Print = changes	
Pos.	Cod.ric. Part No.	Descrizione	Description	Note / Notes
444A	049268	Dado; M 14x1,5	Nut; M 14x1,5	
445A	0L0094	Dosatore idraulico	Dispenser; for rinse aid	
449A	049849	Tappo	Plug	
450A	048308	Trappola d'aria per pressost.	Air trap	
451A	068642	OR 2062x15.54	O Ring	
452A	049268	Dado M14x1.5	Nut; M14x1,5	
464A	048883	Tubo 5x12	Hose 5x12	
465A	049620	Pressostato	Pressure switch	
466A	048195	Raccordo 3 vie	Connection 3 way; diam 12	
467A	049332	Valvola DVGW	Solenoid valve	
470A	049379	Tubo gom. 11.5X19.5 WRC	Hose; WRC	
474A	046946	Fasc. Torro W2 8-12/7,5 IVP	Hose clamp 8-12	
475A	048883	Tubo gomma 5X12	Hose; 5x12	
		Pagina 7: Componenti elettrici	Page 7: Electrical components	ill. 641804p4
426	048888	Rele; 230V,2 cont, passo 5	Relay; 230V,2 cont, passo 5	m,n
427	048997	Trasformatore	Transformer	m,n - Up to Ser. nr.: 305
427	049883	Trasformatore	Transformer	m,n - From Ser. nr.: 306
428	048491	Resistenza; 230V, 3kw	Heating element; 230v, 3kw	a,b,c,d,e,f,g,h,k,l,o,s,z Up to Ser. Nr.: 823
428	0L1870	Resistenza; 230V, 3kw	Heating element; 230v, 3kw	a,b,c,d,e,f,g,h,k,l,o,s,z From Ser. Nr.: 824
428	0L0322	Resistenza; 200V, 3KW	Heating element; 200v, 3kw	p,q
428	0L0010	Resistenza; 400V; 3KW	Heating element; 400V; 3kw	m
428	0L0162	Resistenza; 440V; 3KW	Heating element; 440V; 3kw	n
429	0L0009	Resistenza; 254v; 10,5kw	Heating element; 254v; 10,5kw	n
429	049997	Resistenza; 230V, 10,5KW	Heating element; 230v, 10,5KW	b,d,e,h,l,o,s
429	049997	Resistenza; 230V, 10,5KW	Heating element; 230v, 10,5KW	m - Up to Ser. Nr.: 840
429	0L1772	Resistenza; 230V, 10,5KW	Heating element; 230v, 10,5KW	m - From Ser. Nr.: 841
429	049997	Resistenza; 230V, 10,5KW	Heating element; 230v,10,5KW	k,z - Up to Ser. Nr.: 812
429	0L1772	Resistenza; 230V, 10,5KW	Heating element; 230v,10,5KW	k,z - From Ser. Nr.: 813
429	049992	Resistenza; 230V, 9kw	Heating element; 230v, 9kw	a,c,f,g,r - Up to Ser. Nr.: 820
429	0L1630	Resistenza; 230V, 9kw	Heating element; 230v, 9kw	a,c,f,g,r - From Ser. Nr.: 821
429	0L0321	Resistenza; 200V, 9kw	Heating element; 200v, 9kw	p,q
430	048429	Squadretta	Bracket	
432	049620	Pressostato	Pressure switch	
433	049303	Filtro RFI; trifase	RFI filter; three phase	Not for "r,t"
434	049618	Morsettiera	Junction box	Up to Ser. 244
434	0L0111	Morsettiera Princ.	Junction box	From Ser. 245
435	048825	Contattore; 230V, 50 HZ, 25A	Contactor; 230V, 50 Hz, 25A	a,b,c,d,e,f,k,l,m,o,z Up to ser. nr.: 317
435	0L0285	Contattore; 230V, 50 HZ, 25A	Contactor; 230V, 50 Hz, 25A	a,b,c,d,e,f,k,l,m,o,r,s,z From ser.nr.: 318
435	048736	Contattore;200v, 60HZ, 25A	Contactor;200v, 60HZ, 25A	g,h,n,p,q - Up to ser. nr.: 317
435	0L0286	Contattore;200v, 60HZ, 25A	Contactor;200v, 60HZ, 25A	g,h,n,p,q,t - From ser.nr.: 318

LAVASTOVIGLIE CAPPOTTINA WT65 HOOD TYPE DISHWASHER WT65				Grassetto = variazioni Bold Print = changes
Pos.	Cod.ric. Part No.	Descrizione	Description	Note / Notes
436	049998	Interfaccia utente	User interface	Not for "m,n" - From ser.nr.: 417 Up to ser. nr.: 421
436	0L0548	Interfaccia utente	User interface	Not for "m,n" - From ser.nr.: 422 Up to ser. nr.: 523
436	049998	Interfaccia utente	User interface	Only for "m,n" - Up to ser.nr.: 416
436	049754	Interfaccia utente	User interface	Only for "m,n" - From ser.nr.: 417 Up to ser. nr.: 421
436	0L0548	Interfaccia utente	User interface	Only for "m,n" - From ser.nr.: 422 Up to ser. nr.: 523
436	0L0709	Interfaccia utente	User interface	Not for "r,t" - From ser. nr.: 524 Up to Ser. nr.: 622
436	0L1240	Interfaccia utente	User interface	Not for "r,t" - From ser. nr.: 623 Up to Ser. nr.: 742
436	0L1566	Interfaccia utente	User interface	Not for "r,t" - From ser. nr.: 743
436	0L0710	Interfaccia utente	User interface	Only for "r, t"
437	0L1412	Scheda madre	Main board	Not for "r,t" - Up to Ser. Nr.: 820
437	0L1811	Scheda madre	Main board	Not for "r,t" - From Ser. Nr.: 821
437	0L1410	Scheda madre	Main board	r, t - Up to Ser. Nr.: 820
437	0L1810	Scheda madre	Main board	r, t - From Ser. Nr.: 821
438	067898	OR 2025	O-Ring 2025	Up to ser. nr. 322
438	046376	OR 2027	O-Ring 2027	From ser. nr. 323
439	049884	Sonda di temperatura	Temp. probe	Up to ser. nr. 322
439	049643	Sonda di temperatura	Temp. probe	From ser. nr. 323
440	0E5993	Fascetta elastica 7,8-8,3	Hose clamp 7,8-8,3	
441	067899	Premistoppa per termostato	Stuffing box	Up to ser. nr. 322
441	0L0280	Premistoppa per termostato	Stuffing box	From ser. nr. 323
442	049909	OR 6225	O-Ring	Up to Ser. nr.: 305
442	0E5037	OR 56.52X5.33	O-Ring	From Ser. nr.: 306
443	046376	OR 2037	O Ring	
444	049643	Sonda di temperatura	Temp. probe	
445	049580	Supporto; sonda di temp.	Suppor; temp.sound	Up to ser. nr.: 327
445	0L0366	Supporto sensore temp.	Support; sensor	From ser. nr.: 328
446	002670	Prolunga pulsante	Extension	r, t
446	002670	Prolunga pulsante	Extension	r, t - From Ser.Nr. 743
447	0L1568	Copertura interfaccia utente	User interface cover	Not for "r, t" - From Ser. Nr. 743
490	049844	Cablaggio	Wiring harness	Up to ser. nr.: 305
490	0L0466	Cablaggio	Wiring harness	r,t a,c,f,g,p,q - From ser. nr.: 306
490	0L0467	Cablaggio	Wiring harness	b,d,e,h,k,l,o,s,z From ser. nr.: 306
490	049866	Cablaggio	Wiring harness	m,n - Up to ser. nr.: 305
490	0L0468	Cablaggio	Wiring harness	m,n - From ser. nr.: 306
		Pagina 8: Componenti AU	Page 8: AU components	ill. 641804p5 (Up to Ser. nr. 406)
501	049805	Guida; superiore	Guide; upper	e,f,o - Up to ser. nr.: 406

Da Ser.Nr./From Ser.nr.: /222....

LAVASTOVIGLIE CAPPOTTINA WT65				Grassetto = variazioni
HOOD TYPE DISHWASHER WT65				Bold Print = changes
Pos.	Cod.ric. Part No.	Descrizione	Description	Note / Notes
502	049619	Micro; fine corsa	Micro switch	e,f,o - Up to ser. nr.: 406
503	049592	Supporto; sicurezza	Suppor; safety	e,f,o - Up to ser. nr.: 406
504	049826	Azionatore; fine corsa; inferiore	Driving gear; lower	e,f,o - Up to ser. nr.: 406
505	049829	Cremagliera	Rolling rack	e,f,o - Up to ser. nr.: 406
506	049589	Boccola	Bush	e,f,o - Up to ser. nr.: 406
507	049590	Azionatore; sicurezza	Driving gear;safety	e,f,o - Up to ser. nr.: 406
508	049848	Asta di sollevamento	Lifting rod	e,f,o - Up to ser. nr.: 406
509	048780	Catena	Chain	e,f,o - Up to ser. nr.: 406
510	048760	Motoriduttore	Reducer	e,f,o - Up to ser. nr.: 406
511	049581	Ingranaggio	Gear	e,f,o - Up to ser. nr.: 406
512	049617	Trasformatore	Transformer	e,f,o - Up to ser. nr.: 406
513	049770	Guida cremaliera	Rolling rack guide	e,f,o - Up to ser. nr.: 406
516	049811	Micro; fine corsa	Micro switch	e,f,o - Up to ser. nr.: 406
517	049827	Azionatore; fine corsa; superiore	Driving gear; upper	e,f,o - Up to ser. nr.: 406
		Pagina 9: Componenti AU	Page 9: AU components	ill. 641804p5A (From Ser. nr. 407)
601	049805	Guida; superiore	Guide; upper	e,f,o - From ser. nr.: 407
602	049619	Micro; fine corsa	Micro switch	e,f,o - From ser. nr.: 407
603	049592	Supporto; sicurezza	Suppor; safety	e,f,o - From ser. nr.: 407
605	049829	Cremagliera	Rolling rack	e,f,o - From ser. nr.: 407
606	049589	Boccola	Bush	e,f,o - From ser. nr.: 407
607	049590	Azionatore; sicurezza	Driving gear;safety	e,f,o - From ser. nr.: 407
608	049848	Asta di sollevamento	Lifting rod	e,f,o - From ser. nr.: 407
609	048780	Catena	Chain	e,f,o - From ser. nr.: 407
610	048760	Motoriduttore	Gear motor	e,f,o - From ser. nr.: 407 e,f,o Up to ser. nr.: 513
610	0L0665	Motoriduttore	Gear motor	e,f,o - From ser. nr.: 514
611	049581	Ingranaggio	Gear	e,f,o - From ser. nr.: 407
612	0L0458	Trasformatore	Transformer	e,f,o - From ser. nr.: 407 Up to ser. nr.: 607
612	0L1032	Trasformatore	Transformer	e,f,o - From ser. nr.: 608
613	049770	Guida cremaliera	Rolling rack guide	e,f,o - From ser. nr.: 407
616	0L0456	Micro; fine corsa	Micro switch	e,f,o - From ser. nr.: 407
618	0L0457	Azionatore; fine corsa; superiore	Driving gear; upper	e,f,o - From ser. nr.: 407
619	049826	Azionatore; fine corsa; inferiore	Driving gear; lower	e,f,o - From ser. nr.: 407
620	0L0667	Vite fissaggio motoriduttore	Gear motor fastening screw	e,f,o - From ser. nr.: 514