

**LAVASTOVIGLIE SOTTOTAVOLO  
 UNDERCOUNTER DISHWASHER**


---

**NUC/EUC/KUC/VUC/NUCA/ZUCA/FUCA/EUCA/  
 VUCA**


---

Code	Type	Ref.	Pagina/ Page	Code	Type	Ref.	Pagina/ Page
400035	EUC1/2	c2	3 4 5 7	400080	ZUC1GMS	d9	3 4 5 7
400036	EUC1DP/2	c3	3 4 5 7	400081	VUC1	e1	3 4 5 7
400040	EUC3/2	c4	3 4 5 7	400082	VUC3	e2	3 4 5 7
400041	NUC3DD	o	3 4 5 7	400083	VUC3G	e3	3 4 5 7
400045	EUC3DP/2	c5	3 4 5 7	400085	VUCA3G	e5	3 4 6 7
400046	EUC3DD/2	c6	3 4 5 7	400086	VUC1G	e4	3 4 5 7
400049	ZUC1	d3	3 4 5 7	400097	EUC3DDMCD	e6	3 4 5 7
400050	ZUC1DP	d4	3 4 5 7	400116	FUCA3DD	v	3 4 6 7
400053	ZUC3	d5	3 4 5 7	400120	NUC1DPP	a8	3 4 5 7
400055	EUC1	a	3 4 5 7	400121	EUC1DDM60	b9	3 4 5 7
400056	EUC1DP	c	3 4 5 7	400122	NUC1DUK	b4	3 4 5 7
400059	EUC3	b	3 4 5 7	400123	NUC1DDUK	b5	3 4 5 7
400061	EUC3DP	d	3 4 5 7	400127	KUC3	m	3 4 5 7
400063	EUC1G	w	3 4 5 7	400128	KUC3DP	n	3 4 5 7
400064	EUC1DP60	i	3 4 5 7	400130	NUC1DDRUKP	b6	3 4 5 7
400065	EUC3DD	e	3 4 5 7	400131	NUCA1GRUK	b7	3 4 6 7
400066	ZUCADDROW	a1	3 4 6 7	400132	NUC3DPP	c1	3 4 5 7
400067	ZUCADDROW60	a2	3 4 6 7	400133	NUC1D	b2	3 4 5 7
400068	EUCADD60	b1	3 4 6 7	400134	NUC1DD	b3	3 4 5 7
400069	ZUC3DP	d6	3 4 5 7	400137	EUCA1DP	a5	3 4 6 7
400070	ZUC3DD	d7	3 4 5 7	400138	NUC1GMS	a6	3 4 5 7
400073	EUC1G/2	c7	3 4 5 7	400139	EUC3DPCAG	a7	3 4 5 7
400074	EUCA1DDG	c8	3 4 6 7	400140	NUC1	f	3 4 5 7
400075	EUC1DP60	d1	3 4 5 7	400141	NUC1DP	g	3 4 5 7
400076	ZUC1DP60	d2	3 4 5 7	400144	NUC3	h	3 4 5 7
400077	EUC1GMS	c9	3 4 5 7	400146	NUC3DP	k	3 4 5 7
400078	ZUC1G	d8	3 4 5 7	400149	NUC1DP60	q	3 4 5 7
400079	ZUCA1DDG	d1	3 4 5 7	400150	NUC1DPA	r	3 4 5 7

**Pagina/ Page**

3  
4  
5  
6  
7  
7 - 16

**Indice/ index**

Vista generale / Main view  
 Componenti idraulici / Hydraulic components  
 Circuito idraulico a pressione / Pressurized plumbing circuit  
 Circuito idraulico atmosferico / Atmospheric plumbing circuit  
 Componenti elettrici / Electrical components  
 Lista ricambi / Spare parts list

**Marchio/ Brand:** Z - A - E  
**Paese/ Country:** Tutti/ All

Da Ser.Nr./From Ser.nr.: /839...

Page: 1 Ed. 2018-02

**Doc. Nr.: 595665K00**

**LAVASTOVIGLIE SOTTOTAVOLO  
UNDERCOUNTER DISHWASHER**

---

**NUC/EUC/KUC/VUC/NUCA/ZUCA/FUCA/EUCA/  
VUCA**

<b>Code</b>	<b>Type</b>	<b>Ref.</b>	<b>Pagina/ Page</b>
400151	ZUCA1	s	3 4 6 7
400152	ZUCA3	t	3 4 6 7
400153	EUCADDROW	a3	3 4 6 7
400154	EUCADDROW60	a4	3 4 6 7
400155	NUC1DPDD	b8	3 4 5 7
690028	NUC1G	x	3 4 5 7
698005	NUCA1DDG	z	3 4 6 7
698049	NUCA1DPDDG	a9	3 4 6 7

**Pagina/ Page**

3

4

5

6

7

7 - 16

**Indice/ index**

Vista generale / Main view

Componenti idraulici / Hydraulic components

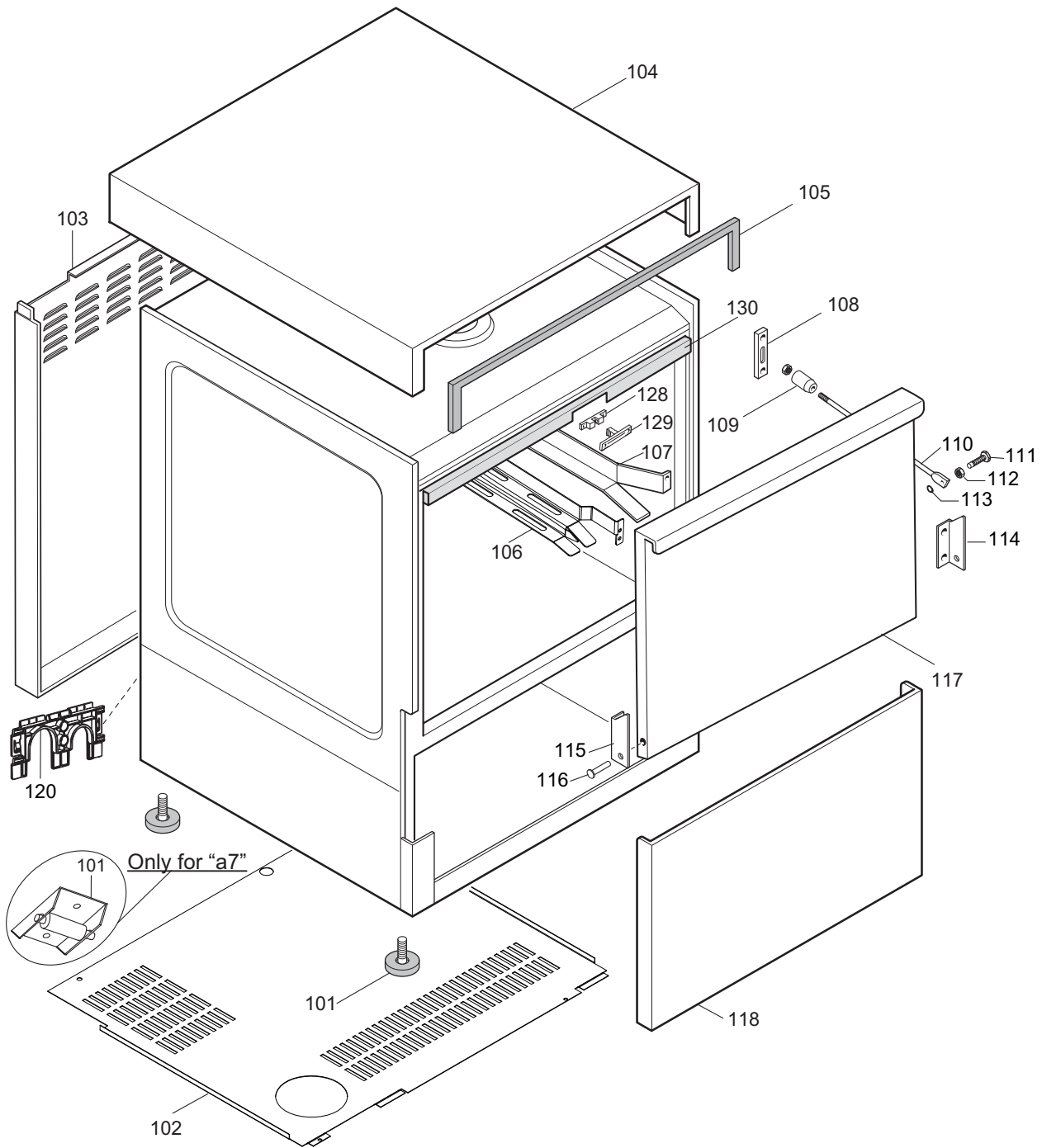
Circuito idraulico a pressione / Pressurized plumbing circuit

Circuito idraulico atmosferico / Atmospheric plumbing circuit

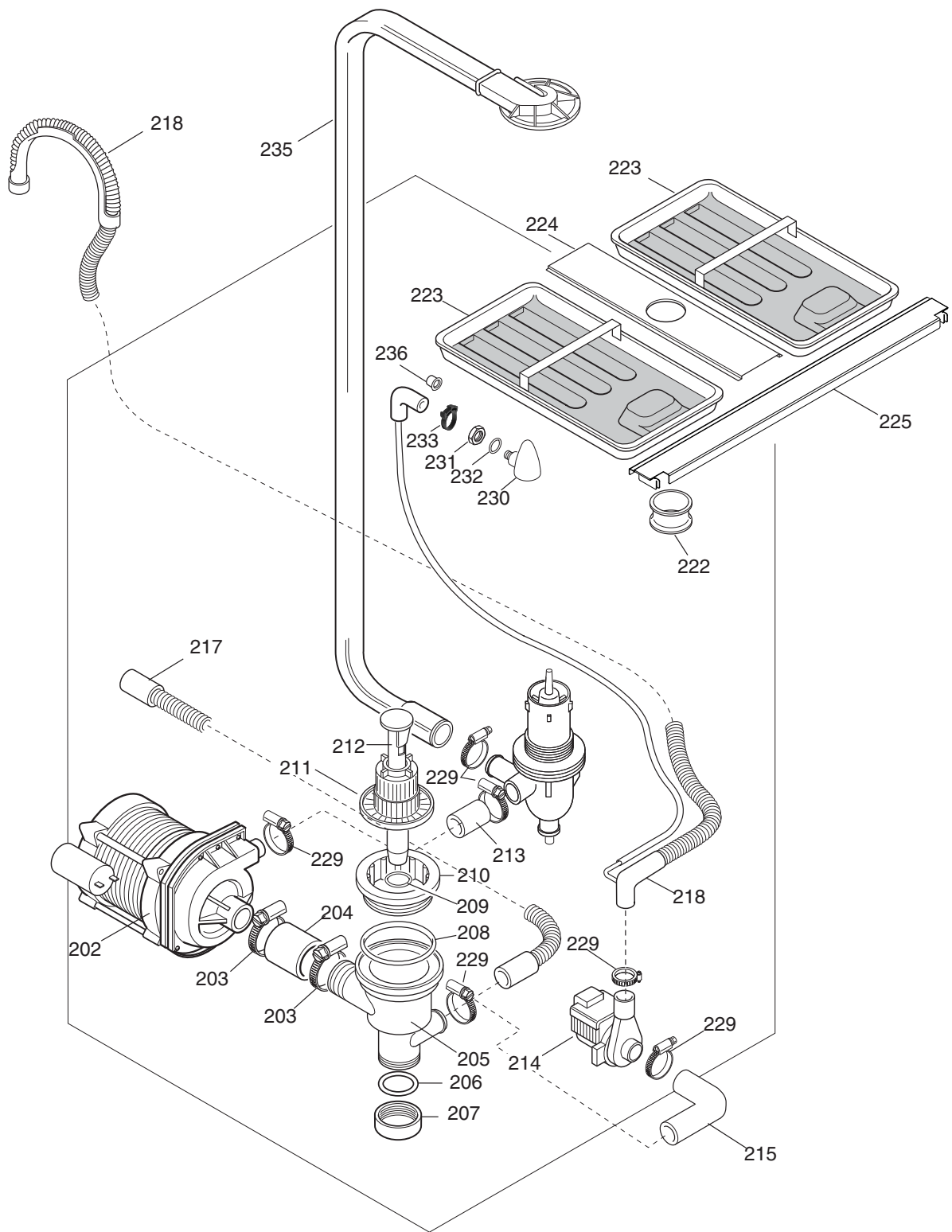
Componenti elettrici / Electrical components

Lista ricambi / Spare parts list

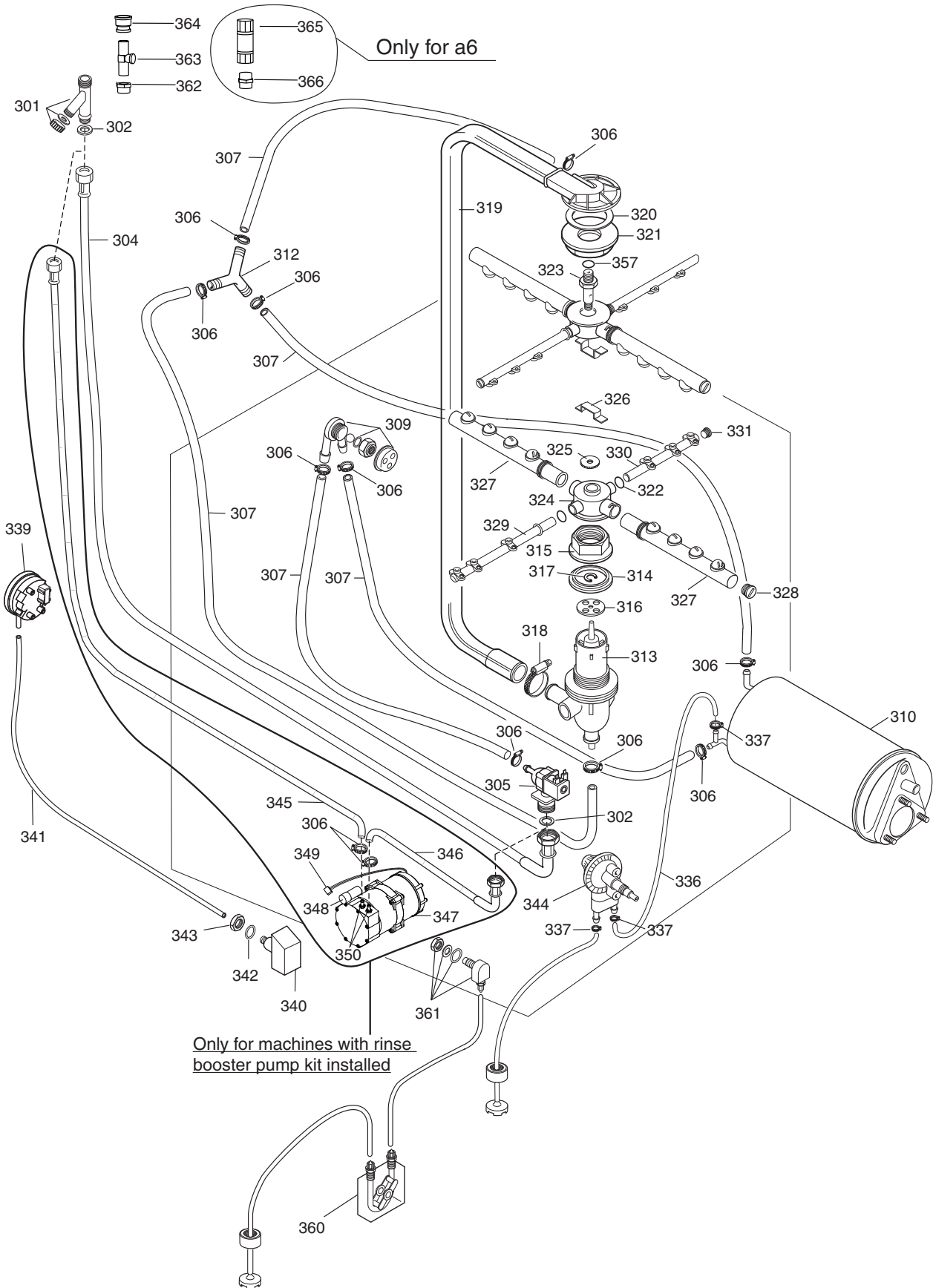
**Marchio/ Brand:** Z - A - E**Paese/ Country:** Tutti/ All



iii. 595665K00\_p2  
 Vista generale / Main view



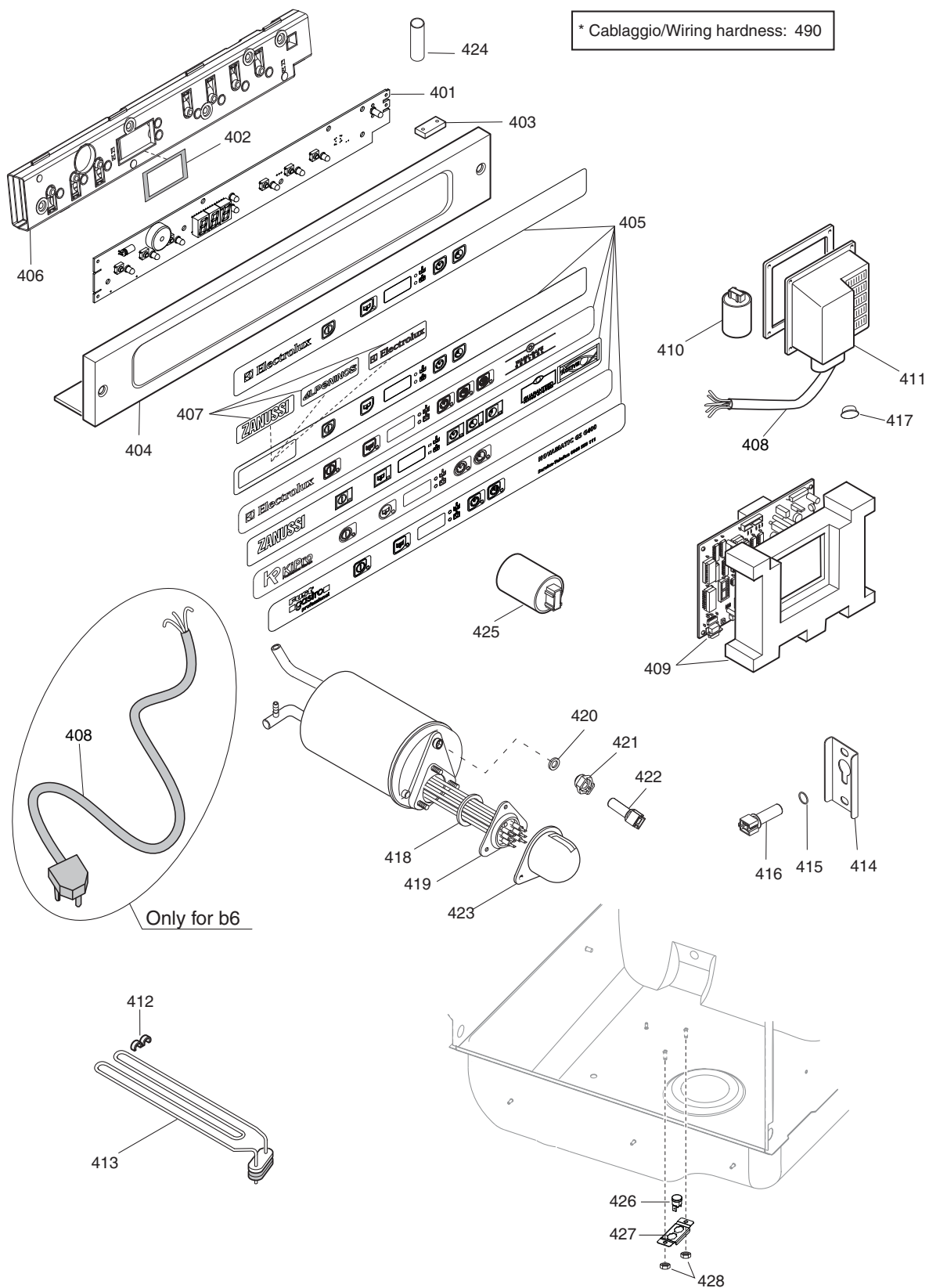
ill. 595665K00\_p3  
 Componenti idraulici / Hydraulic components



ill. 595665K00\_p4A

Circuito idraulico a pressione / Pressurized plumbing circuit





iii. 595665K00\_p5  
 Componenti elettrici / Electrical components

LAVASTOVIGLIE SOTTOTAVOLO NUC/ EUC/ KUC/ NUCA/ ZUCA/ FUCA/ EUCA				Grassetto = variazioni
UNDERCOUNTER DISHWASHER NUC/ EUC/ KUC/ NUCA/ ZUCA/ FUCA/ EUCA				Bold Print = changes
Pos.	Cod.ric. Part No.	Descrizione	Description	Note / Notes
		<b>Pagina 3: Vista generale</b>	<b>Page 3: Main view</b>	<b>ill. 595665K00_p2</b>
101	049393	Piedino regolabile	Adjustable foot	
101	0L0118	Piede a rullo	Roller	a7
101	048994	Piedino marine	Marine foot	b9
102	0TT903	Fondo	Bottom panel	Up to Ser. Nr.: 047
102	0L2434	Fondo	Bottom panel	Up to Ser. Nr.: 048
103	0L1888	Schienale	Rear panel	Not for "s,t,v,z,a1,a2,a3,a4,a5,a9,b1,b7" Up to Ser. Nr.: 012
103	0L2070	Schienale	Rear panel	s,t,v,z,a1,a2,a3,a4,a5,a9,b1,b7 Up to Ser. Nr.: 012
103	0L1889	Schienale	Rear panel	Not for "z,a9,b7" - From Ser. Nr.: 013 Up to Ser. Nr.: 029
103	0L2567	Schienale	Rear panel	Not for "z,a9,b7" - From Ser. Nr.: 030
103	0L2433	Schienale	Rear panel	z,a9,b7,c8,d9 - From Ser. Nr.: 013
104	0L0122	Coperchio	Top panel	Up to Ser. Nr.: 012
104	0L0257	Coperchio	Top panel	From Ser. Nr.: 013
105	046583	Guarnizione	Gasket	
106	0L2565	Supporto cesto destro	Right basket support	a3,a6,c9,d9 - From Ser. Nr.: 030
106	0L2566	Supporto cesto sinistro	Left basket support	a3,a6,c9,d9 - From Ser. Nr.: 030
107	049272	Supporto cesto destro	Right basket support	Not for "r,a3,a6,c9,d9 - Up to Ser. Nr.: 012
<b>107</b>	<b>0L2254</b>	<b>Supporto cesto destro</b>	<b>Right basket support</b>	<b>Not for r,a3,a6,c9,d9 - From Ser. Nr.: 013</b>
107	049273	Supporto cesto sinistro	Left basket support	Not for r,a3, a6,c9,d9 - Up to Ser. Nr.: 012
<b>107</b>	<b>0L2252</b>	<b>Supporto cesto sinistro</b>	<b>Left basket support</b>	<b>Not for r,a3, a6,c9,d9 - From Ser. Nr.: 013</b>
108	049285	Placca	Plate	
109	049286	Ammortizzatore	Absorber	
110	049282	Tirante	Tie rod	
111	049283	Perno per tirante	Pin, for tie rod	
112	049372	Dado autobl. basso	Locking nut, flat	
113	049284	Anello seger	C-Clamp	
114	049279	Cerniera destra	Right hinge	Up to Ser. Nr.: 012
114	0L2253	Cerniera destra	Right hinge	From Ser. Nr.: 013
115	049280	Cerniera sinistra	Left hinge	Up to Ser. Nr.: 012
115	0L2251	Cerniera sinistra	Left hinge	From Ser. Nr.: 013
116	049281	Perno cerniera	Hinge pin	Up to Ser. Nr.: 012
116	0L2255	Perno cerniera	Hinge pin	From Ser. Nr.: 013
117	049951	Porta	Door	Up to Ser. Nr.: 920
117	0L2068	Porta	Door	From Ser. Nr.: 921
118	0L1649	Pannello frontale	Front panel	Up to Ser. Nr.: 029
118	0L2568	Pannello frontale	Front panel	From Ser. Nr.: 030
119	047551	Coperchio vaschetta	Container lid	
120	0L0112	Copertura passatubi	Hoses protection	



LAVASTOVIGLIE SOTTOTAVOLO NUC/ EUC/ KUC/ NUCA/ ZUCA/ FUCA/ EUCA				Grassetto = variazioni
UNDERCOUNTER DISHWASHER NUC/ EUC/ KUC/ NUCA/ ZUCA/ FUCA/ EUCA				Bold Print = changes
Pos.	Cod.ric. Part No.	Descrizione	Description	Note / Notes
128	049271	Scrocchetto	Snap catch	
129	049536	Nasello	Door-stop	
130	0L0021	Guarnizione	Gasket	

LAVASTOVIGLIE SOTTOTAVOLO NUC/ EUC/ KUC/ NUCA/ ZUCA/ FUCA/ EUCA				Grassetto = variazioni
UNDERCOUNTER DISHWASHER NUC/ EUC/ KUC/ NUCA/ ZUCA/ FUCA/ EUCA				Bold Print = changes
Pos.	Cod.ric. Part No.	Descrizione	Description	Note / Notes
		<b>Pagina 3: Componenti idraulici</b>	<b>Page 3: Hydraulic components</b>	<b>ill. 595665K00_p3</b>
202	0L0126	Pompa Lavaggio	Wash pump	Not for "i,q,a2,a4,b1" - 50Hz
202	0L0562	Pompa Lavaggio	Wash pump	i,q,a2,a4,b1,b9,d1,d2 - 60Hz
203	0L0193	Fascetta 40-60	Hose clamp 40-60	
<b>204</b>	<b>0L1374</b>	<b>Tubo aspirazione pompa</b>	<b>Pump hose</b>	
205	048325	Coll. Asp. Scarico	Drain manifold	
206	049828	Guarniz. Tappo Ter. Sc.	Gasket	
207	046596	Tappo Terminale Sc.	Plug; for manifold	
208	049894	OR 4*110 Asp Sc.	O Ring	
209	046799	OR Troppo Pieno	O Ring	
210	048326	Ghiera collettore Asp. Sc.	Ring nut; for manifold	
211	048324	Filtro Aspirazione pompa	Filter; for pump	
212	048323	Troppo pieno	Overflow pipe	a,b,f,h,m,s,t,b2,b4,c2,c4,d3,d5,e1,e2
212	048842	Troppo pieno	Overflow pipe	c,d,e,g,n,o,k,r,i,q,w,x,v,z,a1,a2,a3,a4,a5,a6,a7,a8,a9,b1,b3,b5,b6,b7,b8,c1,c3,c5,c6,c7,c8,c9,d1,d2,d4,d6,d7,d8,d9,e1,e3,e4,e5,e6
<b>213</b>	<b>0L0259</b>	<b>Tubo Gomma 37x52</b>	<b>Hose</b>	
214	0L0994	Pompa scarico	Drain pump	50hz - c,d,e,g,n,o,k,r,w,x,v,z,a1,a3,a5,a6,a7,a8,a9,b3,b5,b6,b7,b8 - Up to Ser. Nr.: 144
214	0L2133	Pompa scarico	Drain pump	50hz - c,d,e,g,n,o,k,r,w,x,v,z,a1,a3,a5,a6,a7,a8,a9,b3,b5,b6,b7,b8,c1,c3,c5,c6,c7,c8,c9,d4,d6,d7,d8,d9,e3,e4,e5,e6 From Ser. Nr.: 145
214	0L1131	Pompa scarico	Drain pump	60hz - i,q,a2,a4,b1 - Up to Ser. Nr.: 144
214	0L2133	Pompa scarico	Drain pump	60hz - i,q,a2,a4,b1,d1,d2 From Ser. Nr.: 145
215	049877	Manicotto asp scarico	Coupling; drain	c,d,e,f,g,k,i,n,o,q,r,w,v,x,z,a1,a2,a3,a4,a5,a6,a7,a8,a9,b1,b2,b3,b4,b5,b6,b7,b8,c1,c2,c3,c5,c6,c7,c8,c9,d1,d2,d3,d4,d6,d7,d8,d9,e1,e3,e4,e5,e6
217	049856	Tubo Scarico	Drain pipe	a,b,f,h,m,s,t,b2,b4,c2,c4,d3,d5,e1,e2
218	049878	Tubo Scarico	Drain pipe	c,d,e,g,n,o,k,i,q,r,w,x,v,z,a1,a2,a3,a4,a5,a6,a7,a8,a9,b1,b3,b5,b6,b7,b8,c1,c3,c5,c6,c7,c8,c9,d1,d2,d4,d6,d7,d8,d9,e3,e4,e5,e6
222	0L0078	Supporto Filtro	Filter support	z,a1,a2,a3,a4,a6,a9,b1,b7,c8,c9,d9,e1,e5,e6
223	049908	Filtro Vasca	Tank filter	z,a1,a2,a3,a4,a6,a9,b1,b7,c8,c9,d9,e1,e5,e6
224	0L2431	Supporto Centrale filtri	Central support for filters	z,a1,a2,a3,a4,a6,a9,b1,b7,c8,c9,d9,e1,e5,e6
225	0L2430	Supporto Anteriore filtri	Front support for filters	z,a1,a2,a3,a4,a6,a9,b1,b7,c8,c9,d9,e1,e5,e6
229	046878	Fascetta 35-50	Hose clamp 35-50	

LAVASTOVIGLIE SOTTOTAVOLO NUC/ EUC/ KUC/ NUCA/ ZUCA/ FUCA/ EUCA				Grassetto = variazioni
UNDERCOUNTER DISHWASHER NUC/ EUC/ KUC/ NUCA/ ZUCA/ FUCA/ EUCA				Bold Print = changes
Pos.	Cod.ric. Part No.	Descrizione	Description	Note / Notes
230	048853	Nasello per vasca	Spigot; air relief	
231	049268	Dado ES.M14X1,5	Nut; M14x1,5	
232	068642	OR 3062; 2,62X15,54	O Ring	
233	046946	Fasc. Torro. W2 8-12/7,5 IVP	Hose clamp 8-12	Up to Ser: 2014-49
233	0L3522	Fasc. in plastica con crichetto	Herbie Clip nylon hose clamp	Up to Ser: 2014-50
235	0L0125	Tubo Lavaggio	Wash pipe	
236	049849	Tappo ingresso det.	Plug inlet det.	
		<b>Pagina 4: Circuito idraulico a pressione</b>	<b>Page 4: Pressurized plumbing circuit</b>	<b>iii. 595665K00_p4A</b>
301	048834	Assieme filtro	Filter assembly	
302	0L1945	Guarnizione	Gasket	
304	0L1887	Tubo alimentazione	Supply pipe	
305	048817	Elettrovalvola	Electrovalve	
306	048126	Fascetta 13-20	Hose clamp 13-20	
307	048531	Tubo	Hose	
309	0L1892	Valvola DVGW, compl.	DVGW Valve, compl.	
310	0L1890	Boiler	Boiler	Up to Ser. Nr.: 920
310	0L0352	Boiler	Boiler	From Ser. Nr.: 921
312	048195	Raccordo 3 vie	3 way connection	
313	049290	Supporto getti, inferiore	Jets support, lower	
314	048236	Guarnizione	Gasket	
315	048330	Ghiera, fiss. supporto getti	Ring nut, jets support locking	
316	048820	Parzializzatore	Flow reducer	
317	048979	Anello	O-ring	
318	046878	Fascetta 38-50	Hose clamp 38-50	
319	0L0125	Tubo collegamento getti	Connection pipe for wash jets	
320	0L0110	Guarnizione Supp. Getti Sup.	Gasket	
321	048824	Ghiera	Ring nut	
322	047473	O-Ring 2056- 1,78x14,00	O-Ring	
323	049292	Perno, per supporto getti	Pin, for jets support	
324	049293	Assieme mozzo, per getti	Hub assembly, for jets	
325	047282	Rondella di fermo	Lock washer	
326	049294	Protezione rondella	Washer bracket	
327	049295	Assieme getto di lavaggio	Wash jet assembly	
328	049296	Tappo, per getti lavaggio	Plug, for wash jets	
329	049297	Getto risciacquo, lungo	Rinse jet, long	
330	049298	Getto risciacquo, corto	Rinse jet, short	
331	049299	Tappo, per getti risciacquo corti	Plug, for short rinse jets	
334	067292	Guarnizione	Gasket	
336	048883	Tubo	Pipe	
337	046946	Fascetta 8-12	Hose clamp 8-12	
339	049881	Pressostato	Pressure switch	
340	048308	Trappola d'aria per pressost.	Air trap	

LAVASTOVIGLIE SOTTOTAVOLO NUC/ EUC/ KUC/ NUCA/ ZUCA/ FUCA/ EUCA UNDERCOUNTER DISHWASHER NUC/ EUC/ KUC/ NUCA/ ZUCA/ FUCA/ EUCA				Grassetto = variazioni Bold Print = changes
Pos.	Cod.ric. Part No.	Descrizione	Description	Note / Notes
341	049904	Tubo	Hose	
342	068642	OR 2062x15.54	O Ring	
343	049268	Dado M14x1.5	Nut; M14x1,5	
344	0L0094	Dosatore idraulico	Rinse aid dispenser	Up to Ser. nr. 347 - Not for f,g,h,k,m,n,o,q,x,a6,a7,a8,b4,b5,b6
344	0L3182	Dosatore idraulico	Rinse aid dispenser	From Ser. nr. 348 up to 7401 - Only for f,g,h,k,m,n,o,q,x,a6,a7,a8,b2,b4,b5,b6,c1, c2,c3,c4,c5,c6,c7,c9,d1,d2,d3,d4,d5,d6, d7,d8,d9,e6
344	0L4295	Dosatore idraulico	Rinse aid dispenser	From to Ser. nr. 7411 - Only for f,g,h,k,m,n,o,q,x,a7,a8,b6,b8,b9,c1,c2,c3, c4,c5,c6,c7,c9,d1,d2,d3,d4,d5,d6, d7,d8,d9,e1,e2,e3,e4,e6
345	0L2394	Tubo ingresso acqua	Water inlet pipe	<u>Rinse booster pump kit</u>
346	0L2389	Tubo uscita pompa	Pump outlet pipe	<u>Rinse booster pump kit</u>
347	0L2391	Pompa + condensatore	Pump + capacitor	<u>Rinse booster pump kit</u>
348	049126	Condensatore	Capacitor	8 µF - <u>Rinse booster pump kit</u>
349	0L2392	Cavetto di terra	Ground cable	<u>Rinse booster pump kit</u>
350	0L2393	Portagomma G 3/8" M	Fitting G 3/8" M	<u>Rinse booster pump kit</u>
	0L2390	(Pompa + condensatore) + cavetto di terra+portagomma	(Pump + capacitor) + ground cable + fitting	(pos. 347 + pos. 349 + pos. 350) <u>Rinse booster pump kit</u>
357	047986	O-Ring 2050 - 1,78x12,42	O-Ring	
360	0L0696	Pompa detergente	Pump; detergent	Up to Ser: 2014-19 e,o,w,x,a6,b2,b4,b5,b6,b8
360	0S1711	Pompa detergente	Pump; detergent	From to Ser: 2014-20 e,o,w,x,a6,b2,b4,b5,b6,b8,b9,c7,c9,d8, e3,e4
361	049801	Iniettore detergente	Injection spigot	e,o,w,x,a6,b9,c6,c7,c9,d7,d8,e3,e4,e6
362	0L0262	Riduzione M.3/4" - F.1/2"	Adapter M.3/4" - F.1/2"	w,x,c7,d8,e4 - From Ser. Nr.: 014
363	0L0264	Valvola di non ritorno	No back-flow valve	w,x,c7,d8,e4 - From Ser. Nr.: 014
364	0L0263	Manicotto F.3/4"- F.1/2"	Coupling F.3/4"- F.1/2"	w,x,c7,d8,e4 - From Ser. Nr.: 014
365	0L2980	Doppia valvola di non ritorno	Double no back-flow valve	a6,c9,d9 - From Ser. Nr. 316
366	072457	Raccordo M.3/4" - M.3/4"	Coupling M.3/4"- M.3/4"	a6,c9,d9 - From Ser. Nr. 316
		<b>Pagina 4: Circuito idraulico atmosferico</b>	<b>Page 4: Atmospheric plumbing circuit</b>	<b>ill. 595665K00_p4B</b> <b>Only for "s,t,v,z,a1,a2,a3,a4,a5,a9,b1, b7,e5"</b>
301a	048834	Assieme filtro	Filter assembly	
302a	0L1945	Guarnizione	Gasket	
303a	049773	Tubo Ø 26x37	Pipe Ø 26x37	660 mm
304a	0L1887	Tubo alimentazione	Feed hose	
305a	0L0098	Trappola d'aria	Air trap	
307a	048531	Tubo	Hose	
309a	049297	Getto risciacquo, lungo	Rinse jet, long	
310a	0L1891	Boiler	Boiler	Up to Ser. Nr.: 820
310a	0L0351	Boiler	Boiler	From Ser. Nr.: 821

LAVASTOVIGLIE SOTTOTAVOLO NUC/ EUC/ KUC/ NUCA/ ZUCA/ FUCA/ EUCA				Grassetto = variazioni
UNDERCOUNTER DISHWASHER NUC/ EUC/ KUC/ NUCA/ ZUCA/ FUCA/ EUCA				Bold Print = changes
Pos.	Cod.ric. Part No.	Descrizione	Description	Note / Notes
311a	0L2597	Pompa risciacquo	Rinse pump	Not for "a2,a4,b1"- 50 Hz
311a	0L2598	Pompa risciacquo	Rinse pump	a2,a4,b1 - 60 Hz
312a	049299	Tappo per getti risciacquo	Pipe for rinse jet	
313a	049287	Tubo Ø 25,5X32	Pipe Ø 25,5X32	
314a	0L2064	Manicotto aspirazione	Suction hose	
316a	0L0365	Raccordo 3 vie	3 way connection	
317a	0L0083	Fascetta 9,3/9,9	Hose clamp 9,3/9,9	
318a	046878	Fascetta 38-50	Hose clamp 38-50	
319a	0L0125	Tubo collegamento getti	Connection pipe for wash jets	
320a	0L0367	Fascetta Cobra	Hose clamp	
321a	0L2560	Protezione ghiera	Guard ring nut	
322a	047473	OR 2056- 1,78x14,00	O Ring	
323a	048824	Ghiera	Ring nut	
324a	048126	Fascetta 12-22	Hose clamp 12-22	
325a	0L0082	Fascetta Ø 7,3/7,8	Hose clamp Ø 7,3x7,8	
326a	0L0110	Guarnizione	Gasket	
328a	0L2666	Air Gap	Air Gap	s,t,v,a1,a2,a3,a4,a5,b1,e5
328a	0L2435	Air Gap UK	Air Gap UK	z,a9,b7,c8,d9
329a	049828	Guarnizione	Gasket	
330a	049460	OR 3212-2,62x53,65	O Ring	
331a	049480	Ghiera per Air Gap	Air Gap nut	
333a	0L0697	Pompa peristaltica brillantante	Pump; rinse aid	Up to Ser: 2014-19 t,v,a3,a4,a5,b7
333a	0S1713	Pompa peristaltica brillantante	Pump; rinse aid	From Ser: 2014-20 Up to Ser: 2016-12 t,v,z,a1,a2,a3,a4,a5,b1,b7
333a	0S2285	Pompa peristaltica brillantante	Pump; rinse aid	From Ser: 2016-13 t,v,z,a1,a2,a3,a4,a5,b1,b7,c8,d1,e5
338a	048330	Ghiera, fiss. supporto getti	Ring nut, jets support locking	
339a	048236	Guarnizione	Gasket	
340a	048979	Anello seger	C-Clamp	
341a	048820	Parzializzatore	Flow reducer	
342a	049290	Supporto getti, inferiore	Jets support, lower	
343a	0L2065	Elettrovalvola 10 l/min	Electrovalve 10 l/min	s,t,v,a1,a2,a3,a4,a5,b1,e5
343a	049452	Elettrovalvola 5.5 l/min	Electrovalve 5.5 l/min	z,a9,b7,c8,d9
346a	049296	Tappo, per getti lavaggio	Plug, for wash jets	
347a	049295	Assieme getto di lavaggio	Wash jet assembly	
349a	049298	Getto risciacquo, corto	Rinse jet, short	
350a	048308	Trappola d'aria per pressost.	Air trap	
351a	068642	OR 2062x15.54	O Ring	
352a	049268	Dado M14x1.5	Nut; M14x1,5	
353a	049293	Assieme mozzo, per getti	Hub assembly, for jets	
354a	047282	Rondella di fermo	Lock washer	
355a	049294	Protezione rondella	Washer bracket	
356a	049292	Perno, per supporto getti	Pin, for jets support	

LAVASTOVIGLIE SOTTOTAVOLO NUC/ EUC/ KUC/ NUCA/ ZUCA/ FUCA/ EUCA UNDERCOUNTER DISHWASHER NUC/ EUC/ KUC/ NUCA/ ZUCA/ FUCA/ EUCA				Grassetto = variazioni Bold Print = changes
Pos.	Cod.ric. Part No.	Descrizione	Description	Note / Notes
357a	047986	O-Ring 2050 - 1,78x12,42	O-Ring	
359a	049360	Tubo mandata; rigido	Delivery hose; rigid	
360a	0L0696	Pompa detergente	Pump; detergent	Up to Ser: 2014-19 v,z,a1,a2,a3,a4,a9,b1,b7
360a	0S1711	Pompa detergente	Pump; detergent	From to Ser: 2014-20 v,z,a1,a2,a3,a4,a9,b1,b7,c8,d9,e5
361a	049801	Iniettore detergente	Injection spigot	v,z,a1,a2,a3,a4,a9,b1,b7,c8,d9,e5
363a	072393	Tubo Ø 4x7,4	Hose Ø 4x7,4	
364a	049904	Tubo	Hose	
365a	049881	Pressostato	Pressure switch	
370a	048531	Tubo EPDM 12x19.5	Hose 12x19.5	s,t,v,a1,a2,a3,a4,a5,b1,e5
370a	049379	Tubo 12x19.5 WRC	Hose 12x19.5 WRC	z,a9,b7,c8,d9
372a	049419	Tubo; interno, pompa detergente	Hose; internal detergent pump	
373a	049418	Tubo; interno, pompa brill.	Hose; internal rinse aid pump	
374a	047578	Fascetta Ø 25/40	Hose clamp Ø 25/40	
		<b>Pagina 5: Componenti elettrici</b>	<b>Page 5: Electrical components</b>	<b>iii. 595665K00_p5</b>
401	0L1565	Interfaccia utente	User Interface	Up to 7191
401	0L3875	Interfaccia utente	User Interface	From 7201
402	0L1943	Guarnizione display	Display gasket	
403	0L1871	Sensore reed	Sensor	
404	0L1667	Cruscotto	Control panel	Not for "s,t,a1,a2,a3,a4,a5,b1"
404	0L2069	Cruscotto	Control panel	s,t,a1,a2,a3,a4,a5,b1,e5
<b>404</b>	<b>0L4306</b>	<b>Cruscotto</b>	<b>Control panel</b>	<b>e1,e2,e3,e4,e5</b>
405	0L1663	Membrana adesiva neutra	Neutral stick membrane	f,g,h,o,k,q,r,x,z,a6,a8,a9,b2,b3,b4,b5, b7,c1. b6,b7,b8 up to 7431
405	0L4187	Membrana Caterwash	Caterwash stick membrane	b6,b7,b8 from 7441
405	0L1661	Membrana adesiva - Electrolux	Membrane - Electrolux	a,b,c,d,e,w,a7,b1 up to 6131
405	0L3700	Membrana adesiva - Electrolux	Membrane - Electrolux	From 6141 a7,b1,b9,c2,c4,c5,c6,c7,c9,d1,d3,d5,d6, d7,d8,e1,e6
405	0L3797	Membrana adesiva atmosferica - Electrolux	Atmospheric Membrane - Electrolux	c8,d2,d9
405	0L1653	Membrana adesiva - Zanussi	Membrane - Zanussi	s,t,a1,a2
405	0L3794	Membrana adesiva - Zanussi LS5 Press.	Membrane - Zanussi LS5	d8,d9
405	0L1650	Membrana adesiva - Electrolux	Membrane - Electrolux	a3,a4,a5 up to 6131
405	0L3691	Membrana adesiva - Electrolux	Membrane - Electrolux	a3,a4,a5 from 6141
405	0L2388	Membrana adesiva - Fust	Membrane - Fust	v
405	0L2142	Membrana adesiva - Kipro	Membrane - Kipro	m,n

LAVASTOVIGLIE SOTTOTAVOLO NUC/ EUC/ KUC/ NUCA/ ZUCA/ FUCA/ EUCA				Grassetto = variazioni
UNDERCOUNTER DISHWASHER NUC/ EUC/ KUC/ NUCA/ ZUCA/ FUCA/ EUCA				Bold Print = changes
Pos.	Cod.ric. Part No.	Descrizione	Description	Note / Notes
405	<b>0L4302</b>	<b>Membrana adesiva - Veetsan Star</b>	<b>Membrane - Veetsan Star</b>	<b>e1,e2,e3,e4</b>
405	<b>0L4303</b>	<b>Membrana adesiva - Veetsan Star</b>	<b>Membrane - Veetsan Star</b>	<b>e5</b>
406	0L1567	Copertura interfaccia utente	User interface cover	
407	0L1664	Adesivo Zanussi	Sticker Zanussi	
407	0L1665	Adesivo Alpeninox	Sticker Alpeninox	
407	54864AK00	Adesivo Electrolux	Sticker Electrolux	
408	0L2055	Cavo H07RNF 3x2,5MMQ	Pipe H07RNF 3x2,5MMQ	a,c,f,g,i,q,w,x,a6,a8,b2,b3,b4,b5,b6,b8, c2,c3,c7,c9,d1,d2,d3,d4,d8,e1,e4
408	0L0024	Cavo H07RNF 3x2,5MMQ	Pipe H07RNF 3x2,5MMQ	s,a5
408	0L2432	Cavo H07RNF 3x6MMQ	Pipe H07RNF 3x6MMQ	z,a9,b7,c8,d9
408	0L0026	Cavo H07RNF 4x2,5MMQ	Pipe H07RNF 4x2,5MMQ	a2,a4,b1
408	0L0025	Cavo H07RNF 5x2,5MMQ	Pipe H07RNF 5x2,5MMQ	b,d,e,h,m,n,o,k,t,v,a1,a3,a7,c1,c4,c5,c6, d5,d6,d7,e2,e3,e5,e6
408	0C3632	Cavo H07RNF 3x2,5MMQ	Pipe H07RNF 3x2,5MMQ	b6
409	0L2583	Scheda madre	Main board	b,d,e,h,m,n,o,k,s,t,v,z,a1,a2,a3,a4,a5, a7,a9,b1,b7,c1,c4,c5,c6,c8,d5,d6,d7,d9, e2,e3,e5,e6
409	0L2582	Scheda madre	Main board	a,c,f,g,i,q,r,w,x,a6,a8,b2,b3,b4,b5,b6,b8, c2,c3,c6,c9,d1,d2,d3,d4,d7,e1,e4,e6
410	049303	Filtro RFI trifase	RFI filter; three phase	b,d,e,h,m,n,o,k,t,v,z,a1,a2,a3,a4,a7,a9,b1, b7 - Up to Ser. Nr.: 213
410	049977	Filtro RFI monofase	RFI filter; single phase	a,c,f,g,i,q,s,w,x,a5,a6,a8,b2,b3,b4,b5,b6 ,b8,c2,c3,d3,d4 - Up to Ser. Nr.: 235
411	0L0127	Morsettiera Princ. Monofase	Junction box	a,c,f,g,i,q,r,w,x,s,a5,a6,a8,b2,b3,b4,b5, b6,b8,c2,c3,c7,c9,d1,d2,d3,d4,d8,e1,e4
411	0L0111	Morsettiera Princ. Trifase	Junction box	b,d,e,h,m,n,o,k,t,v,z,a1,a2,a3,a4,a7,a9, b1,b7,c1,c4,c5,c6,c8,d5,d6,d7,d9,e2,e3, e5,e6
412	048429	Fissaggio Res. Vasca	Bracket	
413	049954	Res. Vasca 2000W-230V	Heating element; 230v, 2,0kw	Up to Ser. Nr.: 946
413	0L2109	Res. Vasca 2000W-230V	Heating element; 230v, 2,0kw	Not for "a1,a2,a3,a4,b1" From Ser. Nr.: 947
413	0L2439	Res. Vasca 2000W-230V	Heating element; 230v, 2,0kw	a1,a2,a3,a4,b1,e5 - From Ser. Nr.: 048
414	0L0366	Supp Sensore	Support; sensor	
415	0L2303	OR 2037	O Ring	
416	049643	Sensore NTC	Sensor	
417	0L3368	Tappo morsettiara	Barrel Plug	b6
418	0L2765	OR 6187 D=5.34MM	O Ring	
419	049955	Res. Flangiata 4500W 230V	Heating element 4,5KW 230V	b,d,e,h,m,n,o,k,a7 - Up to Ser. Nr.: 017
419	0L2652	Res. Flangiata 4500W 230V	Heating element 4,5KW 230V	b,d,e,h,m,n,o,k,a7,c1,c4,c5,c6,d5,d6,d7, e2,e3,e6 - From Ser. Nr.: 018
419	049955	Res. Flangiata 4500W 230V	Heating element 4,5KW 230V	t,v,w,x,z,a9,b7 - Up to Ser. Nr.: 002
419	0L2652	Res. Flangiata 4500W 230V	Heating element 4,5KW 230V	t,v,w,x,z,a9,b7,c7,c8,d8,e4 - From Ser. Nr.: 003
419	0L2770	Res. Flangiata 4500W 230V	Heating element 4,5KW 230V	a1,a2,a3,a4,b1,e5 - From Ser. Nr.: 048

Da Ser.Nr./From Ser.nr.: /839...

LAVASTOVIGLIE SOTTOTAVOLO NUC/ EUC/ KUC/ NUCA/ ZUCA/ FUCA/ EUCA				Grassetto = variazioni
UNDERCOUNTER DISHWASHER NUC/ EUC/ KUC/ NUCA/ ZUCA/ FUCA/ EUCA				Bold Print = changes
Pos.	Cod.ric. Part No.	Descrizione	Description	Note / Notes
419	049980	Res. Flangiata 2800W 230V	Heating element 2,8KW 230V	a,c,f,g,i,q,r,s,a5,a8,b2,b3,b5,b6,b8,c2,c3 d1,d2,d3,d4,d9,e1
419	0L2652	Res. Flangiata 4500W 230V	Heating element 4,5KW 230V	b4,b5b6 (connect only one heating element leg)
420	0L2303	OR 2037	O Ring	
421	0L0280	Premistoppa	Stuffing box	
422	049643	Sonda di Temperatura	Temp. sound	
423	065560	Cappuccio	Protection cap	
424	063881	Filtro antisturbo	Noise suppressor filter	
425	049901	Filtro induttivo-cap.; monofase	Filter; single phase	b,d,e,h,m,n,o,k,t,v,z,a1,a2,a3,a4,a7,a9, b1,b7,c1,c4,c5,c6,c8,d5,d6,d7,d9,e2,e3, e5,e6 - From Ser. Nr.: 236
426	0L2895	Klixon	Klixon	
427	0L2894	Supporto klixon	Klixon support	
428	0C8219	Dado M5	M5 Nut	
490	0L2485	Cablaggio	Wiring harness	a,c,f,g,i,q,r,w,x,s,a5,a6,a8,b2,b3,b4,b5, b6,b8,c2,c3,c7,c9,d1,d2,d3,d4,d8,e1,e4
490	0L2486	Cablaggio	Wiring harness	b,d,e,h,m,n,o,k,t,v,z,a7,a9,b7,c1,c4,c6, c8,d5,d7,d9,e2,e3,e6
490	0L2438	Cablaggio	Wiring harness	a1,a2,a3,a4,b1 up to 6031
490	0L3719	Cablaggio	Wiring harness	a1,a2,a3,a4,b1,e5 from 6041